



HEIDENHAIN



TNC7

For Gen 3 Drives

Contouring Control for
Milling Machines, Milling-Turning
Machines, and Machining
Centers

**Information for the
Machine Tool Builder**

TNC contouring control with drive system from HEIDENHAIN

General information

TNC7	<ul style="list-style-type: none"> Contouring control for milling machines, milling-turning machines, and machining centers Axes: up to 24 control loops (22 control loops with functional safety (FS)), of which up to 4 can be configured as spindles For operation with HEIDENHAIN inverter systems and ideally with HEIDENHAIN motors Uniformly digital with HSCI interface and EnDat interface Intuitive multi-touch operational design Leading-edge functions combined with the familiarity of HEIDENHAIN Klartext: graphical programming allows beginners and experts alike to rapidly program complex workpieces Graphically supported alignment of workholding equipment Integrated process monitoring New, intuitive machine setup with smart probing functions Easy operating solutions for everyday production tasks, including complete integration of program testing with high-resolution simulation of the machining process in the Editor operating mode Graphical programming Short block processing time (< 0.5 ms)
System test	Controls, power modules, motors, and encoders from HEIDENHAIN are usually integrated as components into complete systems. In such cases, comprehensive testing of the complete system is required, irrespective of the specifications of the individual devices.
Parts subject to wear	Controls from HEIDENHAIN contain parts subject to wear, such as a backup battery and fan.
Standards	Standards (ISO, EN, etc.) apply only where explicitly stated in the brochure.
Note	Intel, Intel Xeon, Core, and Celeron are registered trademarks of Intel Corporation.
Validity	The features and specifications described here apply for the following control and NC software versions: TNC7 with NC software versions 817620-16 (export license required) 817621-16 (no export license required)
Requirements	Some of these specifications require particular machine configurations. Please also note that, for some functions, a special PLC program must be created by the manufacturer.
Functional safety (FS)	If standard components and FS components (FS = Functional Safety) are not explicitly differentiated, then the information applies to both versions (e.g., TE 361, TE 361 FS). Components for which there is also a version with functional safety bear the identifier "(FS)" at the end of the product designation, e.g., UEC 3xx (FS)



Contents

TNC contouring control with drive system from HEIDENHAIN	2
Overview tables	4
HSCI control components	17
Accessories	25
Cable overview	43
Technical description	50
Data transfer and communication	90
Mounting information	94
Key dimensions	96
General information	114
Other HEIDENHAIN controls	116
Subject index	118

Please note the page references in the tables with the specifications.

Using this brochure

This brochure is purely a decision-making aid for selecting HEIDENHAIN components. Additional documentation is required for project development (see "Technical documentation", Page 114).

Overview tables

Components

Control systems		24-inch design	Page
Main computer	<i>For operating panel</i>	MC 366 (full HD, 1920 x 1080 pixels)	17
	<i>For electrical cabinet</i>	MC 306	
Storage medium		SSDR solid-state drive	19
NC software license		On SIK component	19
Monitor		BF 360 (full HD, 1920 x 1080 pixels)	21
Keyboard		TE 361 and TE 361 FS	
Machine operating panel		Integrated	21
		PLB 600x (HSCI adapter for OEM machine operating panel)	25
PLC inputs/outputs¹⁾	With HSCI interface	PL 6000 consisting of PLB 62xx basic module (system PL) or PLB 61xx (expansion PL) and I/O modules	23
		On UEC ²⁾ and UMC	
Additional modules¹⁾		CMA-H for analog axes/spindles in the HSCI system	26
		Modules for fieldbus systems	
Inverter systems²⁾		Compact inverters and modular inverters	
Connecting cable			43

¹⁾ May be necessary depending on the configuration

²⁾ For more information, refer to the *Inverter Systems for Gen 3 Drives* brochure

Please note: The MC main computer does not have any PLC inputs/outputs. Therefore one PL 6000, UEC, or UMC is necessary for each control. They feature safety-relevant inputs/outputs as well as the connections for touch probes.

Accessories

Accessory	TNC7	Page
Electronic handwheels	<ul style="list-style-type: none"> • HR 510, HR 510 FS portable handwheel • HR 520, HR 520 FS portable handwheel with display • HR 550 FS portable wireless handwheel with display • HR 130 panel-mounted handwheel 	27
Workpiece touch probes¹⁾	<ul style="list-style-type: none"> • TS 460 touch trigger probe with radio or infrared transmission • TS 760 touch trigger probe with radio or infrared transmission • TS 260 touch trigger probe with cable connection • TS 750 touch trigger probe with cable connection • TS 150 touch trigger probe with cable connection 	
Tool touch probes¹⁾	<ul style="list-style-type: none"> • TT 160 touch trigger probe with cable connection • TT 460 touch trigger probe with radio or infrared transmission 	
Auxiliary axis control	PNC 610	32
Industrial PC	ITC 362: additional operating station and integrated screen keyboard IPC 6490/IPC 8420: industrial PC for PNC 610	30
Vision system	VT 121, VTC vision system for tool inspection	35
Snap-on keys	For controls and handwheels	36

¹⁾ For more information, refer to the *Touch Probes* brochure

Software tools	TNC7	Page
PLCdesign¹⁾	PLC development software	85
KinematicsDesign¹⁾	Software for creation of kinematic models	76
M3D Converter⁴⁾	Software for creation of high-resolution collision objects in M3D format	76
TNCremo²⁾, TNCremoPlus²⁾³⁾	Data transfer software (TNCremoPlus with "live" screen)	91
ConfigDesign¹⁾	Software for configuring the machine parameters	81
CycleDesign¹⁾	Software for creating cycle structures	89
TNCkeygen¹⁾	Software for enabling SIK options for a limited time, and for single-day access to the OEM area	19
TNCscope¹⁾	Software for data recording	82
TNCopt¹⁾	Software for putting digital control loops into service	82
IOconfig¹⁾	Software for configuring PLC I/O and fieldbus components	24
RemoteAccess¹⁾³⁾	Software for remote diagnostics, monitoring, and operation	83
RemoTools SDK¹⁾	Function library for developing customized applications for communication with HEIDENHAIN controls	92
virtualTNC¹⁾³⁾	Control component for virtual machines	92
TNCtest¹⁾	Software for creation and execution of an acceptance test	83
TNCalyzer¹⁾	Software for the analysis and evaluation of service files	83

¹⁾ Available to registered customers for downloading from the Internet

²⁾ Available to all customers (without registration) for downloading from the Internet

³⁾ Software release module required

⁴⁾ Included in the KinematicsDesign installation package with version 3.1 or later (software release module required)

Specifications

Specifications	TNC7	Page
Axes	Max. 24 control loops (22 control loops with functional safety (FS)), of which up to 4 can be configured as spindles	56
Rotary axes	Max. 3	
Synchronized axes	✓	
PLC axes	✓	
Main spindle	<i>Milling</i> : max. 4; second, third, and fourth spindle can be controlled alternately with the first <i>Turning</i> : max. 2 Milling spindle or lathe spindle activated via NC command	63
Speed	Max. 60 000 rpm for motors with a single pole pair (with software option 49: max. 120 000 rpm)	63
Operating mode switchover	✓	63
Position-controlled spindle	✓	63
Oriented spindle stop	✓	63
Gear shifting	✓	63
NC program memory	≈ 189 GB (with 240 GB SSDR)	17
Input resolution and display step		56
Linear axes	Down to 0.01 μm	
Rotary axes	Down to 0.000 01°	
Functional safety (FS)	With FS components, SPLC and SKERN	52
For applications with up to	<ul style="list-style-type: none"> SIL 2 as per EN 61508 Category 3, PL d as per EN ISO 13849-1: 2008 	
Interpolation		
Straight line	In 4 axes; in max. 6 axes with software option 9	
Circle	In 2 axes; in 3 axes with software option 8	
Helical	✓	
Axis feedback control		65
With servo lag	✓	
With feedforward	✓	
Axis clamping	✓	56
Maximum feed rate	$\frac{60000 \text{ rpm}}{\text{No. of motor pole pairs}} \cdot \text{Screw pitch [mm]}$ Applies to $f_{\text{PWM}} = 5000 \text{ Hz}$	56

Specifications	TNC7	Page
Cycle times of main computer	MC	66
Block processing	< 0.5 ms	67
Cycle times of controller unit	CC/UEC/UMC	66
Path interpolation	3 ms	66
Fine interpolation	Applies to $f_{\text{PWM}} = 5 \text{ kHz}$	<i>Single-speed</i> : 0.2 ms <i>Double-speed</i> : 0.1 ms (software option 49)
Position controller		
Speed controller		
Current controller	f_{PWM} 3333 Hz 4000 Hz 5000 Hz 6666 Hz with software option 49 8000 Hz with software option 49 10000 Hz with software option 49 13333 Hz with software option 49 16000 Hz with software option 49	T_{INT} 150 μs 125 μs 100 μs 75 μs with software option 49 62.5 μs with software option 49 50 μs with software option 49 37.5 μs with software option 49 31.25 μs with software option 49
Permissible temperature range	Operation: In electrical cabinet: 5 °C to 40 °C In operating panel: 0 °C to 50 °C Storage: -20 °C to 60 °C	

Interfacing to the machine

Interfacing to the machine	TNC7	Page
Error compensation	✓	78
Linear axis error	✓	78
Nonlinear axis error	✓	78
Backlash	✓	78
Reversal spikes during circular movement	✓	78
Hysteresis	✓	78
Thermal expansion	✓	78
Static friction	✓	78
Sliding friction	✓	78
Dynamic compliance during acceleration phases	✓	72
Volumetric compensation with KinematicsComp	✓	80
Integrated PLC	✓	84
Program format	Statement list	84
Program input at the control	✓	84
Program input by PC	✓	84
Symbolic PLC-NC interface	✓	84
PLC memory	≈ 4 GB (with 240 GB SSDR)	84
PLC cycle time	9 ms to 30 ms (adjustable)	84
PLC inputs/outputs	For the maximum configuration of the PLC system, see Page 51	23
PLC inputs, DC 24 V	Via PL, UEC, UMC	23
PLC outputs, DC 24 V	Via PL, UEC, UMC	23
Analog inputs ±10 V	Via PL	23
Inputs for PT 100 thermistors	Via PL	23
Analog outputs ±10 V	Via PL	23
PLC functions	✓	84
PLC soft keys	✓	85
PLC positioning	✓	85
PLC Basic Program	✓	88
Integration of applications		86
High-level language programming	Use of the Python programming language in conjunction with the PLC (software option 46)	86
User interfaces can be custom-designed	Creation of individualized user interfaces by the machine manufacturer with the Python programming language with Qt/QML. Programs up to a memory limit of 10 MB are enabled in standard mode. More can be enabled via software option 46.	86

Interfacing to the machine	TNC7	Page
Commissioning and diagnostic aids		81
TNCdiag	Software for the analysis of status and diagnostic information of digital drive systems	81
TNCopt	Software for putting digital control loops into service	82
ConfigDesign	Software for creating the machine configuration	81
KinematicsDesign	Software for creating the machine kinematics, initialization of DCM	76
Integrated oscilloscope	✓	81
Trace function	✓	82
API DATA function	✓	82
Table function	✓	82
OLM (online monitor)	✓	82
Log	✓	82
TNCscope	✓	82
Bus diagnostics	✓	83
Data interfaces	✓	
Ethernet	✓	90
USB	✓	90
Protocols		90
Standard data transmission	✓	90
Blockwise data transfer	✓	90
LSV2	✓	90

Functions for the user

Function	Standard	Option	TNC7
Short description	✓	0-7 77 78	Basic version: 3 axes plus closed-loop spindle A total of 14 additional NC axes or 13 additional NC axes plus second spindle
	✓		Digital current and speed control
Program entry	✓	42	HEIDENHAIN Klartext Direct loading of contours or machining positions from CAD files and saving as Klartext contouring program or point table Programming of contours graphically, and saving as Klartext program
	✓		
Position values	✓		Nominal positions for straight lines and arcs in Cartesian coordinates or polar coordinates
	✓		Incremental or absolute dimensions
	✓		Display and entry in mm or inches
Tool compensation	✓		Tool radius in the working plane and tool length
	✓	9	Radius-compensated contour look ahead for up to 99 blocks (M120) Three-dimensional tool-radius compensation for changing tool data without having to recalculate an existing program
Tool tables	✓		Multiple tool tables with any number of tools
Cutting data	✓		Automatic calculation of spindle speed, cutting speed, feed per tooth, and feed per revolution
Constant contour speed	✓		Relative to the path of the tool center point
	✓		Based on the tool's cutting edge
Parallel operation	✓		Creating a program with graphical support while another program is being run
3D machining	✓		Motion control with smoothed jerk
		9	3D tool compensation via surface-normal vectors
		9	Alteration of the swivel head angle via the electronic handwheel during program run without changing the position of the tool center point (TCPM = Tool Center Point Management)
		9	Keeping the tool perpendicular to the contour
		9	Tool radius compensation normal to the tool direction
		9	Manual traverse in the active tool-axis system
		92	3D radius compensation depending on the tool's contact angle
Rotary table machining		8	Programming of cylindrical contours as if in two axes
		8	Feed rate in mm/min
Turning		50 or 158	Program-controlled switchover between milling and turning Constant cutting speed Tool-tip radius compensation Cycles for roughing, finishing, recessing, thread turning, and recess turning Blank form updated in contour cycles Turning-specific contour elements for recesses and undercuts Orientation of the turning tool for outside or inside machining Inclined turning Speed limiting Eccentric turning (also requires software option 135)

Function	Standard	Option	TNC7
Contour elements	✓		Straight line
	✓		Chamfer
	✓		Circular path
	✓		Circle center
	✓		Circle radius
	✓		Tangentially connecting circular arc
	✓		Corner rounding
		50 or 158	Recess Undercut
Contour approach and departure	✓		Via straight line: tangential or perpendicular
	✓		Via circular arc
Adaptive feed control		45	AFC adapts the contouring feed rate to the current spindle power
Collision monitoring		40	Dynamic Collision Monitoring (DCM)
		40	Graphic depiction of the active collision objects (high-resolution M3D format)
		40	Tool carrier monitoring
		40	Fixture monitoring
		140	DCM v2: Dynamic Collision Monitoring Version 2, Expansion of the functions of option 40 (DCM) with graphically supported alignment of workholding equipment
Process monitoring		168	Process Monitoring: detect deviations in a machining process from a reference operation and react accordingly
Graphical programming	✓		Faster programming of complex workpieces
Program jumps	✓		Subprograms
	✓		Program-section repeat
	✓		Any program as a subprogram
Fixed cycles	✓		Drilling, tapping with a floating tap holder, rigid tapping
	✓		Peck drilling, reaming, boring, counterboring, centering
		50 or 158	Area clearance cycles, longitudinal and transverse, paraxial and contour-parallel
		158	Recessing cycles, radial/axial
	✓		Radial/axial recess turning cycles (combined recessing and roughing motion)
		50 or 158	Milling of internal and external threads
		50 or 158	Turning of internal and external threads
		158	Hobbing
		158	Simultaneous roughing and finishing
		96	Interpolation turning
	✓		Clearing level and oblique surfaces
	✓		Multi-operation machining of straight and circular slots
	✓		Multi-operation machining of rectangular and circular pockets
	✓		Cartesian and polar point patterns and point patterns for DataMatrix code
	✓		Contour train, contour pocket
	✓		Contour slot with trochoidal milling
	✓		OEM cycles (special cycles developed by the machine manufacturer) can be integrated
	✓		Engraving cycle: engrave text or numbers in a straight line or on an arc
Coordinate transformations	✓		Shifting, rotating, mirroring, scaling (axis-specific)
		8	Tilting the working plane, PLANE function
		44	<i>Manually definable</i> : shifts, rotations, and handwheel superimpositioning can be manually defined via global program settings

Function	Standard	Option	TNC7
Q parameters Programming with variables	✓ ✓ ✓ ✓ ✓ ✓		Mathematical functions =, +, -, *, /, sin α, cos α, tan α, arc sin, arc cos, arc tan, a ⁿ , e ⁿ , ln, log, square root of a, square root of (a ² + b ²) Logical operations (=, = /, <, >) Calculating with parentheses Absolute value of a number, constant π, negation, truncation of digits before or after the decimal point Functions for calculation of circles Functions for text processing
Programming aids	✓ ✓ ✓ ✓ ✓ ✓		Calculator Complete list of all current error messages Context-sensitive help function for error messages TNCguide: the integrated help system; User information directly available on the TNC7; context-sensitive calling possible Graphical support for the programming of cycles Comment and structure blocks in the NC program
CAD viewer	✓		Display of standardized CAD file formats on the TNC
CAD Model Optimizer		152	Optimize CAD models
Teach-in	✓		Application of actual positions directly in the NC program
Test graphics Depictions	✓ ✓ ✓		Graphic simulation before a program run, even while another program is running Plan view / projection in 3 planes / 3-D view, also in tilted working plane Detail zoom
3-D line graphics	✓		For verification of programs created offline
Program-run graphics Display modes	✓ ✓		Graphic simulation during real-time machining Plan view / projection in 3 planes / 3-D view
Machining time	✓ ✓		Calculation of machining time in the Editor operating mode Display of the current machining time in the Program Run operating modes
Returning to the contour	✓ ✓		Mid-program startup in any block in the program, returning the tool to the calculated nominal position to continue machining Program interruption, contour departure and return
Preset management	✓		One table for saving any reference points (presets)
Datum tables	✓		Multiple datum tables for storing workpiece-specific datums
Pallet tables	✓		Workpiece-oriented execution of pallet tables (with any number of entries for the selection of pallets, NC programs, and datums)

Function	Standard	Option	TNC7
Parallel secondary axes	✓ ✓ ✓		Compensation of movement in the secondary axes U, V, W through the principal axes X, Y, Z Movements of parallel axes included in the position display of the associated principal axis (sum display) Defining the principal and secondary axes in the NC program enables execution on different machine configurations
Touch probe cycles	✓ ✓ ✓ ✓	48 48 50 or 158	Touch probe calibration Manual or automatic compensation of workpiece misalignment Manual or automatic preset setting Automatic tool and workpiece measurement Automatic measurement and optimization of machine kinematics Compensation table for multiple kinematics models Cycle for measurement of turning tools
Conversational languages	✓		English, German, Czech, French, Italian, Spanish, Portuguese, Dutch, Swedish, Danish, Finnish, Norwegian, Slovenian, Slovak, Polish, Hungarian, Russian (Cyrillic), Romanian, Turkish, Chinese (traditional and simplified), Korean

Software options

Option number	Software option	With NC software 81762x- or later	ID	Comment	Page
0	Additional Axis 1	16	354540-01	Additional control loop 1	20
1	Additional Axis 2	16	353904-01	Additional control loop 2	20
2	Additional Axis 3	16	353905-01	Additional control loop 3	20
3	Additional Axis 4	16	367867-01	Additional control loop 4	20
4	Additional Axis 5	16	367868-01	Additional control loop 5	20
5	Additional Axis 6	16	370291-01	Additional control loop 6	20
6	Additional Axis 7	16	370292-01	Additional control loop 7	20
7	Additional Axis 8	16	370293-01	Additional control loop 8	20
8	Advanced Function Set 1	16	617920-01	Rotary table machining	56
				<ul style="list-style-type: none"> Programming of cylindrical contours as if in two axes Feed rate in mm/min 	
				Coordinate transformations	57
				<ul style="list-style-type: none"> Tilting the working plane, PLANE function 	
				Interpolation	
				<ul style="list-style-type: none"> Circular in 3 axes with tilted working plane 	
9	Advanced Function Set 2	16	617921-01	3D machining	57
				<ul style="list-style-type: none"> 3D tool compensation via surface normal vectors Using the electronic handwheel to change the angle of the swivel head during program run without affecting the position of the tool point (TCPM = Tool Center Point Management) Keeping the tool perpendicular to the contour Tool radius compensation perpendicular to the tool direction Manual traverse in the active tool-axis system 	
				Interpolation	
				<ul style="list-style-type: none"> Linear in more than four axes (export license required) 	
18	HEIDENHAIN DNC	16	526451-01	Communication with external PC applications over COM component	92
40	DCM Collision	16	526452-01	Dynamic Collision Monitoring (DCM)	75
42	CAD Import	16	526450-01	Importing of contours from 2D and 3D models, e.g. STEP, IGES, DXF	
44	Global PGM Settings	16	576057-01	Global program settings	58
45	Adaptive feed control (AFC)	16	579648-01	Adaptive feed control	69
46	Python OEM Process	16	579650-01	Execution of Python applications	86
48	KinematicsOpt	16	630916-01	Touch-probe cycles for the automatic measurement of rotary axes	79
49	Double-Speed Axes	16	632223-01	Short control-loop cycle times for direct drives	66

Option number	Software option	With NC software 81762x- or later	ID	Comment	Page
50	Turning	16	634608-01	Turning functions (mill-turning)	59
				<ul style="list-style-type: none"> Turning tool management Tool radius compensation Switching between milling and turning mode Turning-specific contour elements Package of turning cycles 	
52	KinematicsComp	16	661879-01	Spatial compensation of errors in rotary and linear axes (export license required)	80
56-61	OPC UA NC Server 1 to 6	16	1291434-01 to 1291434-06	Connection of an OPC UA application	93
77	4 Additional Axes	16	634613-01	4 additional control loops	20
78	8 Additional Axes	16	634614-01	8 additional control loops	20
92	3D-ToolComp	16	679678-01	3D radius compensation based on the contact angle (only with the Advanced Function Set 2 software option)	80
93	Extended Tool Management	16	676938-01	Expanded tool management:	
				<ul style="list-style-type: none"> Tooling list (list of all tools of the NC program) T usage sequence (sequence of all tools inserted during the program) 	
96	Adv. Spindle Interp.	16	751653-01	Additional functions for an interpolated spindle	
				<ul style="list-style-type: none"> Interpolation turning, coupling Interpolation turning, contour finishing 	
131	Spindle Synchronism	16	806270-01	Synchronization of two or more spindles	92
133	Remote Desk. Manager	16	894423-01	Display and operation of external computer units (e.g., Windows PC)	92
135	Synchronizing Functions	16	1085731-01	Advanced synchronization of axes and spindles	58
140	DCM v2	16	1353266-01	Dynamic Collision Monitoring (DCM) Version 2 with graphically supported alignment of workholding equipment	75
				<ul style="list-style-type: none"> Includes all functions of software option 40 (Dynamic Collision Monitoring, DCM). 	
141	Cross Talk Comp.	16	800542-01	CTC: compensation of axis couplings	72
142	Pos. Adapt. Control	16	800544-01	PAC: position-dependent adaptation of control parameters	73
143	Load Adapt. Control	16	800545-01	LAC: load-dependent adaptation of control parameters	71
144	Motion Adapt. Control	16	800546-01	MAC: motion-dependent adaptation of control parameters	72
145	Active Chatter Control	16	800547-01	ACC: suppression of chatter	70

HSCI control components

Main computer

Option number	Software option	With NC software 81762x- or later	ID	Comment	Page
146	Machine Vibration Control	16	800548-01	Damping of machine oscillations to improve workpiece surfaces. The following functions are part of Machine Vibration Control (MVC): <ul style="list-style-type: none"> • AVD (Active Vibration Damping): Active damping of vibrations in the control loop • FSC (Frequency Shaping Control): Reduction of vibration inducement by means of frequency-based feedforward control 	73
152	CAD Model Optimizer	16	1353918-01	Conversion and optimization of CAD models <ul style="list-style-type: none"> • Fixtures • Workpiece blank • Finished part 	76
154	Batch Process Manager	16	1219521-01	Planning and executing multiple machining operations	58
155	Component Monitoring	16	1226833-01	Monitoring for component overloading and wear	77
156	Grinding	16	1237232-01	Grinding function <ul style="list-style-type: none"> • Jig grinding • Switching between normal operation and dressing mode • Reciprocating stroke • Grinding cycles • Tool management for grinding and dressing 	62
157	Gear Cutting	16	1237235-01	Functions for the machining of gear teeth	60
158	Turning v2	16	1359635-01	Turning functions (mill-turning version 2) <ul style="list-style-type: none"> • Includes all functions of software option 50 (Turning) plus cycles for simultaneous roughing and finishing 	61
160	Integrated FS: Basic	16	1249928-01	Enables functional safety and four safe control loops	52
161	Integrated FS: Full	16	1249929-01	Enables functional safety and the maximum number of safe control loops	52
162	Add. FS Ctrl. Loop 1	16	1249930-01	Additional control loop 1	52
163	Add. FS Ctrl. Loop 2	16	1249931-01	Additional control loop 2	52
164	Add. FS Ctrl. Loop 3	16	1249932-01	Additional control loop 3	52
165	Add. FS Ctrl. Loop 4	16	1249933-01	Additional control loop 4	52
166	Add. FS Ctrl. Loop 5	16	1249934-01	Additional control loop 5	52
167	Optimized Contour Milling	16	1289547-01	OCM: optimize roughing processes and fully utilize milling tools with the integrated cutting data calculator	70
168	Process Monitoring	16	1302488-01	Reference-based monitoring of the machining process	77
169	Add. FS Full	08	1319091-01	Enabling of all FS axis options or control loops. Options 160 and 162 to 166 must already be set.	52

Main computer

The MC main computers feature the following:

- Intel high-performance processor
- Dual RAM
- Gbit HSCI interface to the controller unit and to other control components
- HDL2 interface to the BF monitor (with electrical cabinet versions)
- Four USB 3.0 ports (e.g., to the TE 361 operating panel)

To be ordered separately and installed in the main computer by the OEM:

- **SSDR** memory card with the NC software
- The **System Identification Key** (SIK) component for enabling control loops and software options.

The following HSCI components are required for operation of the TNC7:

- MC main computer
- Controller unit
- **PLB 62xx** or **PLB 62xx FS** PLC I/O unit (system PL; integrated in UxC)
- TE 361 or TE 361 FS keyboard unit with an integrated machine operating panel

Interfaces

The MC is equipped with USB 3.0 and Ethernet ports. Connection to PROFINET IO or PROFIBUS DP is optionally possible via the individual additional modules or a combined PROFIBUS DP/PROFINET IO module.

Export version

Because the complete NC software is on the storage medium, no export version is required for the main computer itself. Only the easily replaceable storage medium and SIK component are available as export versions.

Gen 3 labels

The different Gen 3 labels identify how control components can be deployed.

Gen3 ready

Gen 3 ready: These components can be used in systems with Gen 3 drives (UVR 3xx, UM 3xx, CC 3xx) and also in systems with a 1xx inverter system (UVR 1xx, UE 2xx, UR 2xx, CC 61xx).

Gen3 exclusive

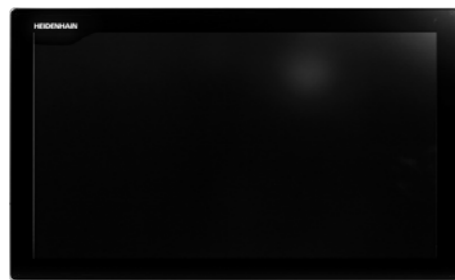
Gen 3 exclusive: These components can be used only in systems with Gen 3 drives (UVR 3xx, UM 3xx, CC 3xx).

Various versions of the MC main computer are available:

- Installation in the **electrical cabinet**:
The MC 306 is installed in the electrical cabinet. The operating panel requires HSCI, USB, and HDL2 cables as control lines
- Installation in the **operating panel**:
The MC 366, together with the BF monitor, forms a single unit that is installed directly into the operating panel. With the exception of the power supply line, only one HSCI connecting cable to the electrical cabinet is needed.



MC 306



MC 366 with main computer installed on the back

Gen3 ready

	Installation type	Storage medium	Processor	RAM	Power consumption*)	Mass	ID
MC 306	Electrical cabinet	SSDR	Intel high-performance CPU	8 GB	≈ 65 W	≈ 4.0 kg	1180045-xx
MC 366¹⁾	Operating panel	SSDR	Intel high-performance CPU	8 GB	≈ 75 W	≈ 10 kg	1246689-02
MC 366 with TNC7 logo¹⁾	Operating panel	SSDR	Intel high-performance CPU	8 GB	≈ 75 W	≈ 10 kg	1246689-03

*) Test conditions: Windows 7 (64-bit) operating system, 100% processor load, interfaces not loaded, no fieldbus module

1) Fulfills IP54 when installed

Optional installation kit for MC 360 and BF 360

For fastening the MC 366 or BF 360 with mounting braces (set of 6 pieces). Up to six mounting braces can be fastened to the MC and BF. ID 1257299-02

Software options

Software options allow the performance of the TNC7 to be adapted to one's actual needs at a later time. The software options are described on page 14. They are enabled by entering keywords based on the SIK number, and are saved in the SIK component. Please provide the SIK number when ordering new options.

Storage medium

The storage medium, which must be ordered separately from the main computer, is removable. It contains the NC software 81762-xx. The NC software is based on the HEIDENHAIN HEROS 5 operating system.

Gen3 ready

240 GB SSDR solid state disk for the operating panel

Free PLC memory space	≈ 4 GB
Free NC memory space	≈ 189 GB
For main computer	MC 366 starting with var. -02
Export license required	ID 1356155-16
No export license required	ID 1356155-66

Gen3 exclusive

240 GB SSDR solid state disk for the electrical cabinet

Free PLC memory space	≈ 4 GB
Free NC memory space	≈ 189 GB
For main computer	MC 306
Export license required	ID 1356152-16
No export license required	ID 1356152-66



SSDR for operating panel



SSDR MC 306



SIK component

SIK component

The SIK component contains the **NC software license** for enabling control loops and software options. It provides the main computer with an unambiguous ID code—the SIK number. The SIK component is ordered and shipped separately. It must be inserted into a slot provided for it in the MC main computer.

The SIK component with the NC software license exists in different versions based on the enabled control loops and software options. Additional control loops can be enabled later by entering a keyword. HEIDENHAIN provides the keyword, which is based on the SIK number.

When ordering, please provide the SIK number of your control. When the keywords are entered in the control, they are saved in the SIK component, thereby enabling and activating the software options. Should servicing become necessary, the SIK component must be inserted into the replacement control in order to enable all of the required software options.

Master keyword (general key)

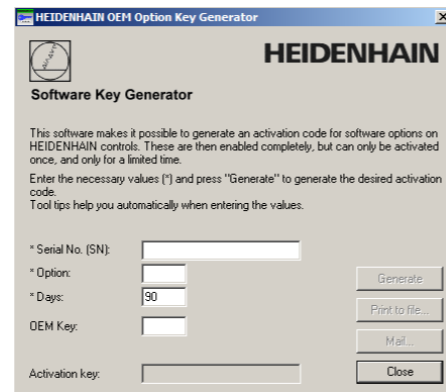
For putting the TNC7 into service, there is a master keyword that enables all software options once for 90 days. After this period, the software options can be activated only with the correct keywords. The general key is activated via a soft key.

TNCkeygen (accessory)

TNCkeygen is a collection of PC software tools for generating enabling keys for HEIDENHAIN controls for a limited period of time.

With the **OEM Key Generator**, you can generate enabling keys for software options by entering the SIK number, the software option to be enabled, the enabling period, and an OEM-specific password. This activation is limited to a period of 10 to 90 days. Each software option can be enabled only once; this is performed independently of the master keyword.

The **OEM daily key generator** generates an enabling key for the protected OEM area, thus granting the user access on the day it is generated.



The SIKs for the TNC7 will be created **on request**. Groups of part numbers have already been created for this.

ID	Designation
1359069-xx	TNC7 SIK New variants for using software options to enable functional safety for Gen 3 components
1359639-xx	TNC7 SIK Variants identical to ID 674989-xx for the following safety designs: Gen 3 drives external safety, and 1xx inverter systems for integrated and external safety

NC software license and enabling of control loops depending on the CC

Further control loops can be enabled either as groups or individually. The combination of control-loop groups and individual control loops makes it possible to enable any number of control loops.
No more than **24 control loops** are possible.

Control-loop groups	Software option	
4 Additional Control Loops	77	ID 634613-01
8 Additional Control Loops	78	ID 634614-01

Individual control loops	Software option	
1st additional control loop	0	ID 354540-01
2nd additional control loop	1	ID 353904-01
3rd additional control loop	2	ID 353905-01
4th additional control loop	3	ID 367867-01
5th additional control loop	4	ID 367868-01
6th additional control loop	5	ID 370291-01
7th additional control loop	6	ID 370292-01
8th additional control loop	7	ID 370293-01

Enabling further control loops

24-inch screen and keyboard

BF 360 monitor
Gen3 exclusive

- Supply voltage: DC 24 V/≈ 35 W
- **24-inch**; 1920 x 1024 pixels
- HDL2 interface to the MC in the electrical cabinet
- Integrated USB hub with four USB ports on the rear
- Display for multi-touch operation
- Fulfills IP54 when installed

BF 360 ID 1275079-xx
Mass ≈ 9.5 kg



BF 360

TE 361 keyboard with an integrated machine operating panel
Gen3 ready

- General data:
- Fits the BF 360 or MC 366 (24-inch design)
 - All keycaps are exchangeable
 - USB interface to the MC main computer
 - Trackball
 - USB port with cover cap

Control keyboard (long stroke):

- Alphabetic keyboard block
- Axis input and value input block
- Programming block
- Operating modes block
- Operating aids block
- Navigation block

Specifications:

- Supply voltage: DC 24 V/≈ 4 W
- Fulfills IP54 when installed (all keycaps must be in place)
- Integrated machine operating panel with 30 exchangeable, freely assignable keycaps with status LED, freely definable via PLC (assignment in accordance with PLC basic program: 12 axis keys, spindle start, spindle stop, 16 further function keys)
- Other operating elements: NC start key¹⁾, NC stop key¹⁾, control voltage on/off key¹⁾, emergency stop button
- Override potentiometers for feed rate, rapid traverse, and spindle speed (all override potentiometers are fitted with an adapter so that they can be mounted in any 22.3 mm opening)
- 4 openings for operating elements with a mounting diameter of 22.3 mm
- Interface for HR handwheel
- HSCI interface, (Gbit HSCI)
- TE 361: 8 free PLC inputs and 8 free PLC outputs
TE 361 FS: 4 free FS inputs and 8 free PLC outputs; additional dual-channel FS inputs for emergency stop and permissive buttons of the handwheel.

¹⁾ Illuminated keys, addressable via PLC

TE 361 ID 1313011-xx
TE 361 FS ID 1326583-xx
Mass ≈ 3.7 kg



TE 361

Extraction tool	For exchanging keycaps on the TE 361	ID 1325134-xx
Optional installation kit for MC 360 and BF 360	For fastening the MC 366 or BF 360 with mounting braces (set of 6 pieces). Up to six mounting braces can be fastened to the MC and BF.	ID 1257299-02
Optional installation kit for TE 361	For fastening the TE 361 with mounting braces (set of 6 pieces). Up to four mounting braces can be fastened to TE 361.	ID 1278826-xx

PL 6000 PLC input/output systems with HSCI

PL 6000 The PLC inputs and outputs are available via external modular PL 6000 PLC input/output systems. They consist of a basic module and one or more input/output modules. A total maximum of 1000 inputs/outputs is supported. The PL 6000 units are connected to the MC main computer via the HSCI interface. The PL 6000 units are configured with the IOconfig PC software.



PLB 62xx

Basic modules Basic modules with an **HSCI interface** exist for 4, 6, 8, and 10 modules. Fastening is performed on standard NS 35 rails (DIN 46227 or EN 50022).

Supply voltage DC 24 V
 Power consumption¹⁾ ≈ 48 W at DC 24 V NC
 ≈ 21 W at DC 24 V PLC

¹⁾ PLB 6xxx completely filled, incl. TS, TT

System PL with EnDat support

- Required once for each control system (except with UxC)
- Connections for TS and TT touch probes
- TS and TT touch probes with EnDat interface are supported
- *Without FS*: 12 free inputs, 7 free outputs
With FS: 6 free FS inputs, 2 free FS outputs
- Functional safety (FS) is enabled via SIK options 160 to 166.
 Subsequent enabling of all FS control loops is via SIK option 169.
- Slots are equipped with cover strips

Gen3 ready

PLB 6204	For 4 I/O modules	ID 1129809-xx
PLB 6206	For 6 I/O modules	ID 1129812-xx
PLB 6208	For 8 I/O modules	ID 1129813-xx
PLB 6210	For 10 I/O modules	ID 1278136-xx

Gen3 exclusive

PLB 6204 FS	For 4 I/O modules	ID 1223032-xx
PLB 6206 FS	For 6 I/O modules	ID 1223033-xx
PLB 6208 FS	For 8 I/O modules	ID 1223034-xx
PLB 6210 FS	For 10 I/O modules	ID 1290089-xx

Note about the "Gen 3 ready" label:
 The label expresses the fact that a component is basically ready for operation in a Gen 3 (Gbit HSCI) drive system. Whether a component is suitable for functional safety (FS; integrated FS, external FS, enabling of FS) must be considered separately.

Expansion PL

Gen3 ready

For connection to the system PL to increase the number of PLC inputs/outputs

PLB 6104	For 4 I/O modules	ID 1129799-xx
PLB 6106	For 6 I/O modules	ID 1129803-xx
PLB 6108	For 8 I/O modules	ID 1129804-xx
PLB 6104 FS	For 4 I/O modules	ID 1129796-xx
PLB 6106 FS	For 6 I/O modules	ID 1129806-xx
PLB 6108 FS	For 8 I/O modules	ID 1129807-xx

Up to seven PLB 6xxx can be connected to the control.

I/O modules

Gen3 ready

There are I/O modules with digital and analog inputs and outputs. For partially occupied basic modules, the unused slots must be occupied by an empty housing.

PLD-H 16-08-00	I/O module with 16 digital inputs and 8 digital outputs	ID 594243-xx
PLD-H 08-16-00	I/O module with 8 digital inputs and 16 digital outputs	ID 650891-xx
PLD-H 08-04-00 FS	I/O module with 8 digital FS inputs and 4 digital FS outputs	ID 598905-xx
PLD-H 04-08-00 FS	I/O module with 4 digital FS inputs and 8 digital FS outputs	ID 727219-xx
PLD-H 04-04-00 HSLS FS	I/O module with 4 digital FS inputs and 4 high-side/low-side FS outputs	ID 746706-xx

Total current Outputs 0 to 7: ≤ 2 A per output (≤ 8 A simultaneously)
 Power output Max. 200 W
 Mass ≈ 0.2 kg

PLA-H 08-04-04	Analog module for PL 6xxx with <ul style="list-style-type: none"> • 8 analog inputs, ±10 V • 4 analog outputs, ±10 V • 4 analog inputs for PT 100 thermistors 	ID 675572-xx
Mass	≈ 0.2 kg	

I/O module for axis release

Gen3 exclusive

Axis-release module for external safety. In combination with the PLB 620x without FS

PAE-H 08-00-01	I/O module for enabling 8 axis groups	ID 1203881-xx
-----------------------	---------------------------------------	---------------

IOconfig (accessory)

PC software for configuring HSCI and PROFIBUS components

Accessories**HSCI adapter for OEM machine operating panel****PLB 600x**

Gen3 ready

The PLB 600x HSCI adapter is required in order to connect an OEM-specific machine operating panel to the TNC7.

- HSCI interface
- Connection for HR handwheel
- Inputs and outputs for keys and key illumination
 - PLB 6001:* Terminals for 72 PLC inputs / 40 PLC outputs
 - PLB 6001 FS:* Terminals for 36 FS inputs / 40 PLC outputs
 - PLB 6002 FS:* Terminals for 4 FS inputs, 64 PLC inputs, and 40 PLC outputs
- Screw fastening or top-hat-rail mounting
- Configuration of the PLC inputs/outputs with the IOconfig computer software

PLB 6001	ID 668792-xx
PLB 6001 FS	ID 722083-xx
PLB 6002 FS	ID 1137000-xx
Mass	≈ 1.2 kg



PLB 6001

Additional modules

Gen3 ready

Module for analog axes

Digital drive designs sometimes also require analog axes or spindles. The additional module CMA-H 04-04-00 (Controller Module Analog—HSCI) makes it possible to integrate analog drive systems in an HSCI system.

The CMA-H is integrated into the HSCI control system via a slot on the underside of the CC or UEC. Every controller unit has slots for two boards. The CMA-H does not increase the total number of available axes: every analog axis used reduces the number of available digital control loops by one. Analog control loops also need to be enabled on the SIK. The analog control-loop outputs can be accessed only via the NC, not via the PLC.

Additional module for analog axes/spindles:

- Expansion board for the CC or UEC controller units
- 4 analog outputs, ±10 V for axes/spindle
- Spring-type plug-in terminals

CMA-H 04-04-00

ID 688721-xx



CMA-H 04-04-00

Fieldbus systems

An expansion board can be used to provide the TNC7 with a PROFIBUS or PROFINET interface at any time. The modules are integrated into the control system through a slot on the MC. This makes the connection to an appropriate fieldbus system as a master possible. As of version 3.0, the interface is configured with IOconfig.

PROFIBUS DP module

- Expansion board for the MC main computer
- Connection for 9-pin D-sub connector (female) to X121

MC 306 and MC 366 as of version -02 ID 1279074-xx



PROFIBUS DP module

PROFINET IO module

- Expansion board for the MC main computer
- RJ45 connection at X621 and X622

MC 306 and MC 366 as of version -02 ID 1279077-xx



PROFINET IO module

Combined PROFIBUS DP/PROFINET IO module

- Expansion board for the MC main computer
- RJ45 connection at X621 (PROFINET IO) and M12 connector at X121 (PROFIBUS DP)
- Additionally connectable terminating resistor for PROFIBUS DP with front LED

MC 306 and MC 366 as of version -02 ID 1233765-xx



Combined module

Electronic handwheels

Gen3 ready

Overview

The standard TNC7 supports the use of electronic handwheels:

- **HR 550 FS** wireless handwheel or
- **HR 510, HR 510 FS** or **HR 520, HR 520 FS** portable handwheel or
- **HR 130** panel-mounted handwheel

Several handwheels can be operated on a single TNC7:

- One handwheel via the handwheel input of the main computer (not on main computers in the electrical cabinet)
- One handwheel each on HSCI machine operating panels or PLB 6001 or PLB 600x FS HSCI adapters (for the maximum number possible, see Page 51)

The mixed operation of handwheels with and without display is not possible. Handwheels with functional safety (FS) are cross-circuit-proof due to special permissive-button logic.

HR 510

Portable electronic handwheel with:

- Keys for actual-position capture and the selection of five axes
- Keys for traverse direction and three preset feed rates
- Three keys for machine functions (see below)
- Emergency stop button and two permissive buttons (24 V)
- Magnetic holding pads

All keys are designed as snap-on keys and can be replaced with other symbols (see *Overview for the HR 510 in Snap-on keys for the HR*).



HR 510

	Keys	Without detent	With detent
HR 510	NC start/stop, spindle start (for basic PLC program)	ID 1119971-xx	ID 1120313-xx
	FCT A, FCT B, FCT C	ID 1099897-xx	–
	Spindle right/left/stop	ID 1184691-xx	–
HR 510 FS	NC start/stop, spindle start (for basic PLC program)	ID 1120311-xx	ID 1161281-xx
	FCT A, FCT B, FCT C	–	ID 1120314-xx
	Spindle start, FCT B, NC start	–	ID 1119974-xx

Mass ≈ 0.6 kg

HR 520

- Portable electronic handwheel with
- Display for operating mode, actual position value, programmed feed rate, spindle speed, and error messages
 - Override potentiometers for feed rate and spindle speed
 - Selection of axes via keys or soft keys
 - Actual position capture
 - NC start/stop
 - Spindle on/off
 - Keys for continuous traverse of the axes
 - Soft keys for machine functions of the machine manufacturer
 - Emergency stop button

	Without detent	With detent
HR 520	ID 670302-xx	ID 670303-xx
HR 520 FS	ID 670304-xx	ID 670305-xx

Mass ≈ 1 kg



HR 520

Holder for HR 520

For attaching to a machine ID 591065-xx

HR 550 FS

Electronic handwheel with wireless transmission. Display, operating elements, and functions are like those of the HR 520

In addition:

- Functional safety (FS)
- Radio transmission range of up to 20 m (depending on environment)

HR 550 FS	Without detent	ID 1200495-xx
	With detent	ID 1183021-xx

Replacement battery For HR 550 FS ID 623166-xx



HR 550 FS with HRA 551 FS

HRA 551 FS

Handwheel holder for HR 550 FS

- For docking the HR 550 FS on the machine
- Integrated battery charger for HR 550 FS
- Connections to the control and the machine
- Integrated transceiver
- HR 550 FS magnetically held to front of HRA 551 FS

HRA 551 FS	ID 1119052-xx
Mass	≈ 1.0 kg

For more information, see the *HR 550 FS* Product Information document.

Connecting cables

	HR 510	HR 510 FS	HR 520	HR 520 FS	HR 550 FS with HRA 551 FS	
Connecting cable (spiral cable) to HR (3 m)	–	–	✓	✓	–	ID 312879-01
	✓	✓	–	–	–	ID 1117852-03
Connecting cable with metal armor	–	–	✓	✓	–	ID 296687-xx
	✓	✓	–	–	–	ID 1117855-xx
Connecting cable without metal armor	–	–	✓	✓	✓ (max. 2 m)	ID 296467-xx
	✓	✓	–	–	–	ID 1117853-xx
HR adapter cable to MC, straight connector	✓	✓	✓	✓	✓ ¹⁾	ID 1161072-xx
HR adapter cable to MC, angled connector (1 m)	✓	✓	✓	✓	✓ ¹⁾	ID 1218563-01
Extension cable to adapter cable	✓	✓	✓	✓	✓ ¹⁾	ID 281429-xx
Adapter cable for HRA to MC	–	–	–	–	✓ ²⁾	ID 749368-xx
Extension cable to adapter cable	–	–	–	–	✓ ²⁾	ID 749369-xx
Adapter connector for handwheels without functional safety	✓	–	✓	–	–	ID 271958-03
Adapter connector for handwheels with functional safety	–	✓	–	✓	✓	ID 271958-05

¹⁾ For maximum cable lengths up to 20 m between the MB and HRA 551 FS

²⁾ For maximum cable lengths up to 50 m between the MB and HRA 551 FS

See also *Cable overview* on Page 49.

HR 130

Panel-mounted handwheel with ergonomic control knob.

It is attached to the TE 361 either directly or via an extension cable.

HR 130	Without detent	ID 540940-03
	With detent	ID 540940-01
Mass	≈ 0.7 kg	



HR 130

Industrial PCs/ITC

Gen3 ready

Additional operating station with touchscreen

The additional ITC operating stations (Industrial Thin Client) from HEIDENHAIN are convenient solutions for the additional, decentralized operation of the machine or of machine units such as tool-changing stations. The remote operation strategy, which is tailored to the TNC7, makes it very easy to connect the ITC over a standard Ethernet connection with a cable length of up to 100 m.

Connecting an ITC is very easy: as soon as the TNC7 identifies an ITC, it provides it with a current operating system. After booting of the ITC, the complete content of the control's screen is mirrored 1:1 on the ITC's screen. As a result of this plug&play principle, no configuration by the machine manufacturer is necessary. With the standard configuration of the Ethernet interface at X116, the TNC7 integrates the ITC into the system fully self-sufficiently.

The **ITC 362** is an additional operating station for control systems with a main screen.

The **ITC 362** and the separately orderable keyboard unit together form a complete, second operating station.



ITC 362	ID number	ID 1346871-xx
	Mass	≈ 10 kg
	Installation type	Operating panel
	Monitor	ITC 755 (full HD, 1920 x 1080 pixels)
	Processor	Intel Atom processor
	RAM	2 GB
	Power consumption	≈ 50 W

IPC 306 for Windows

With the IPC 306 industrial PC, you can start and remotely operate Windows-based applications via the user interface of the TNC7. The user interface is displayed on the control screen. Option 133 is required for this.

Since Windows runs on the industrial PC, it does not influence the NC machining process. The IPC is connected to the NC main computer via Ethernet. No second screen is necessary, since the Windows applications are displayed on the screen of the TNC7 via remote accesses.

Along with the industrial PC, a separately orderable hard disk is required for operation. Windows 8, 10 or 11 can be installed on the empty data carrier as the operating system.

IPC 306	ID number	ID 1179966-xx
	Installation type	Electrical cabinet
	Mass	≈ 4.0 kg
	RAM	8 GB
	Processor	Intel high performance processor
	Power consumption	65 W
	SSDR solid-state memory	ID number ID 1282884-51
		Capacitance ≈ 240 GB

HDMI adapter cable for commissioning ID 1333118-01



IPC 306

Control of auxiliary axes

Gen3 ready

PNC 610

The PNC 610 auxiliary axis control is designed for controlling PLC axes independently of the TNC7. The PNC 610 does not have an NC channel and thus cannot perform interpolating NC movements. With the IPC auxiliary computer, SIK, and CFR storage medium, the PNC 610 is a separate HSCI system, which can be expanded with HEIDENHAIN inverters. In the standard version the PNC 610 already includes six PLC axis releases as well as software option 46 (Python OEM Process). The PLC basic program contains a Python interface for pallet management that is adaptable by the machine manufacturer.

The system's design is identical to that of the TNC7. All relevant HEIDENHAIN tools and a basic program can be used. The position information can be transmitted over PROFIBUS DP (optional), PROFINET IO (optional), or TCP/IP (integrated, system is not capable of real-time), regardless of the platform.



PNC 610 with IPC 8420

Auxiliary computer

The IPC auxiliary computer features the following:

- Intel mid-level processor
- RAM main memory
- HSCI interface to the CC controller unit or to the UxC and to other control components
- USB 3.0 ports

The following components must be ordered separately by the OEM and installed in the auxiliary computer:

- CFR memory card with the NC software
- System Identification Key component (SIK) for enabling software options

The following HSCI components are required for operating the PNC 610:

- IPC auxiliary computer
- Controller unit
- PLB 62xx PLC I/O unit (system PL; integrated into UxC)

Interfaces

USB 3.0 and Ethernet are available on the MC. The connection to PROFINET IO or PROFIBUS DP is possible via an additional module.

Design

IPC 6490	Part number	ID 1039541-xx
	Installation type	Electrical cabinet
	Mass	≈ 2.3 kg
	Power consumption	48 W
	RAM	2 GB
	Processor	Intel Celeron
IPC 8420	Part number	ID 1249510-xx
	Installation type	Operating panel
	Mass	≈ 6.7 kg
	Power consumption	48 W
	Monitor	15.6-inch touchscreen (1366 x 768 pixels)
	RAM	2 GB
	Processor	Intel Celeron

Export version

Because the complete NC software is saved on the CFR CompactFlash storage medium, no export version is required for the main computer itself. The NC software of the PNC 610 needs no export license.

Software options

The performance of the PNC 610 can also be adapted to the actual requirements at a later time through software options. Software options are enabled and saved in the SIK component through the entry of keywords based on the SIK number. Please provide the SIK number when ordering new options.

Option number	Option	ID	Comment	Page
18	HEIDENHAIN DNC	526451-01	Communication with external PC applications over COM component	92
24	Gantry Axes	634621-01	Gantry axes via master-slave torque control	57
135	Synchronizing Functions	1085731-01	Advanced synchronization of axes and spindles	58
141	Cross Talk Comp.	800542-01	CTC: compensation of axis couplings	72
142	Pos. Adapt. Control	800544-01	PAC: position-dependent adaptation of control parameters	73
143	Load Adapt. Control	800545-01	LAC: load-dependent adaptation of control parameters	71
144	Motion Adapt. Control	800546-01	MAC: motion-dependent adaptation of control parameters	72
160	Integrated FS: Basic	1249928-01	Enables functional safety and four safe control loops	52
161	Integrated FS: Full	1249929-01	Enables functional safety and the maximum number of safe control loops	52
162	Add. FS Ctrl. Loop 1	1249930-01	Additional control loop 1	52
163	Add. FS Ctrl. Loop 2	1249931-01	Additional control loop 2	52
164	Add. FS Ctrl. Loop 3	1249932-01	Additional control loop 3	52
165	Add. FS Ctrl. Loop 4	1249933-01	Additional control loop 4	52
166	Add. FS Ctrl. Loop 5	1249934-01	Additional control loop 5	52
169	Add. FS Full	1319091-01	Enabling of all FS axis options or control loops. Options 160 and 162 to 166 must already be set.	52

Storage medium

The storage medium is a CFR (= CompactFlash Removable) compact flash memory card. It contains the NC software and must be ordered separately from the main computer. The NC software is based on the HEIDENHAIN HEROS 5 operating system.

CFR CompactFlash, 30 GB	ID 1102057-59
No export license required	
NC software	817591-09
Free PLC memory space	4 GB
Free NC memory space	7.7 GB

SIK component

The SIK component holds the NC software license for enabling software options. It provides the main computer with an unambiguous ID code—the SIK number. The SIK component is ordered and shipped separately. It must be inserted into a special slot in the IPC auxiliary computer. The SIK component of the PNC can enable six axes. The enabling of up to the maximum number of ten axes must be performed via the UMC compact inverter.

SIK component for PNC 610	ID 617763-53
----------------------------------	--------------

Vision System for Tool Inspection

Gen3 ready

VT 121 with VTC

The VT 121 vision system, combined with the VTC (visual tool control) PC software, enables automated and time-saving in-process tool inspection inside the machine. Using TNC7 cycles, for example, you can monitor and document a tool's condition and level of wear even during unattended shifts. The sealed and highly rugged VT 121 vision system is designed to be installed inside the machine's working space. It requires compressed air only during the cycles for cleaning the workpiece or tool. The vision system can be used regardless of whether cooling lubricant or dry machining is performed. Compressed air from the integrated jets cleans the tools and the camera's cover lenses. In order to integrate VTC on the TNC, you need both an IPC (on which the VTC PC software runs) and software option 46 (Python OEM Process). For more information, please ask your contact person at HEIDENHAIN. For detailed information on the VT 121 and VTC (specifications, accessories, software options, etc.) please refer to the "VT 121 VTC" Product Information document (ID 1324220).

VT 121	ID 1249466-01
Mass ≈ 1 kg	



VT 121

Snap-on keys for handwheels

Snap-on keys

The snap-on keys make it easy to replace the key symbols. In this way, the HR handwheel can be adapted to different requirements.

Overview for HR 520, HR 520 FS, and HR 550 FS

Axis keys Orange	ID 330816-42	ID 330816-24	ID 330816-43	ID 330816-37	
	ID 330816-26	ID 330816-36	ID 330816-38		
	ID 330816-23	ID 330816-25	ID 330816-45		
Gray	ID 330816-95	ID 330816-69	ID 330816-0W	ID 330816-0R	
	ID 330816-96	ID 330816-0G	ID 330816-0V	ID 330816-0D	
	ID 330816-97	ID 330816-0H	ID 330816-0N	ID 330816-0E	
	ID 330816-98	ID 330816-71	ID 330816-0M	ID 330816-65	
	ID 330816-99	ID 330816-72	ID 330816-67	ID 330816-66	
	ID 330816-0A	ID 330816-63	ID 330816-68	ID 330816-19	
	ID 330816-0B	ID 330816-64	ID 330816-21	ID 330816-16	
	ID 330816-0C	ID 330816-18	ID 330816-20	ID 330816-0L	
	ID 330816-70	ID 330816-17	ID 330816-0P	ID 330816-0K	
	Machine functions	ID 330816-0X	ID 330816-75	ID 330816-0T	ID 330816-86
Black ID 330816-1Y		ID 330816-76	ID 330816-81	ID 330816-87	
Black ID 330816-30		ID 330816-77	ID 330816-82	ID 330816-88	
Black ID 330816-31		ID 330816-78	ID 330816-83	ID 330816-94	
Black ID 330816-32		ID 330816-79	ID 330816-84	ID 330816-0U	
ID 330816-73		ID 330816-80	ID 330816-89	ID 330816-91	
ID 330816-74		ID 330816-0S	ID 330816-85	ID 330816-3L	
Spindle functions		Red ID 330816-08	ID 330816-40	Red ID 330816-47	ID 330816-48
		Green ID 330816-09	ID 330816-41	Green ID 330816-46	ID 385530-5X
Other keys		Black ID 330816-01	Red ID 330816-50	ID 330816-90	ID 330816-93
	Gray ID 330816-61	ID 330816-33	Black ID 330816-27	ID 330816-0Y	
	Green ID 330816-11	ID 330816-34	Black ID 330816-28	Black ID 330816-4M	
	Red ID 330816-12	ID 330816-13	Black ID 330816-29	ID 330816-3M	
	Green ID 330816-49	Green ID 330816-22	ID 330816-92	ID 330816-3N	

Overview for HR 510 and HR 510 FS

Axis keys Orange	ID 1092562-02	ID 1092562-05	ID 1092562-36	ID 1092562-08
	ID 1092562-03	ID 1092562-06	ID 1092562-09	
	ID 1092562-04	ID 1092562-07	ID 1092562-37	
Gray	ID 1092562-28	ID 1092562-31	ID 1092562-24	ID 1092562-27
	ID 1092562-29	ID 1092562-32	ID 1092562-25	
	ID 1092562-30	ID 1092562-33	ID 1092562-26	
Machine functions	Black ID 1092562-14	Black ID 1092562-15	Black ID 1092562-16	ID 1092562-42
	ID 1092562-43	ID 1092562-44		
Spindle functions	ID 1092562-18	ID 1092562-19	Green ID 1092562-22	Red ID 1092562-17
	Red ID 1092562-38	ID 1092562-41		
Other keys	Black ID 1092562-01	Green ID 1092562-23	ID 1092562-13	ID 1092562-35
	Green ID 1092562-20	ID 1092562-11	Black ID 1092562-10	Gray ID 1092562-39
	Red ID 1092562-21	ID 1092562-12	ID 1092562-34	Orange ID 1092562-40

Keycaps for keyboard units and machine operating panels

Keycaps

The keycaps make it easy to replace the key symbols, thus allowing the keyboard to be adapted to different requirements.

Overview of control keys

The keycaps with IDs 12869xx-xx and 1344337-xx are suitable for use on the following keyboard units and machine operating panels:

- TE 361
- TE 361 FS

Keycaps for alphabetic keyboard

ID 1286909	-08	-09	-10	-11	-12	-13	-14	-15	-16
ID 1286909	-17	-18	-19	-20	-21	-22	-23	-24	-25
ID 1286909	-26	-27	-28	-29	-30	-31	-32	-33	-34
ID 1286909	-35	-36	-	-38	-39	-	-41	-42	-43
ID 1344337*)	-	-	-01*)	-	-	-02*)	-	-	-

*) With tactile mark

ID 1286909	-44	-45	-46	-47	-48	-49	-50	-51	-52
ID 1286909	-53	-54	-55	-56	-57	-58	-59	-60	
ID 1286911	-01	-02	-03	-04	-05				
ID 1286914	-01	-03							
ID 1286915	-01	-02	-03						
ID 1286917	-01								

Keycaps for operating aids

ID 1286909	-61	-62	-63	-64	-65	-66



















Keycaps for operating modes

ID 1286909	-67	-68	-69	-70	-71	-72	-73	-74	
























Keycaps for programming

ID 1286909	-75	-76	-77	-78	-79	-80	-81	-82	-83
ID 1286909	-84	-85	-86	-87	-88	-89	-90	-91	-93
ID 1286909	-92								









Keycaps for axis input and value input

									
	Orange	Orange	Orange	Orange	Orange	Orange	Orange	Orange	Orange
ID 1286909	-94	-95	-96	-4K	-4Y	-4L	-5K	-98	-4Z
									
ID 1286909	-0B	-0C	-0D	-0E	-	-0G	-0H	-2L	-2M
ID 1344337*)	-	-	-	-	-03*)	-	-	-	-



*) With tactile mark

									
	Orange								
ID 1286909	-97	-0N	-3S	-4S	-4T	-3R	-3T	-3U	-3V
									
ID 1286909	-0K	-0L	-0M	-2N	-0P	-2P	-0R	-0S	-3N
									
			Orange						
ID 1286909	-3W	-3P	-99	-0A					
									
ID 1286914	-02	-04							

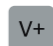




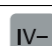
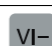




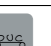




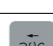





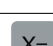

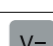





Keycaps for navigation

								
ID 1286909	-0T	-0U	-0V	-0W	-	-0Y	-0Z	-1A
ID 1344337*)	-	-	-	-	-04*)	-	-	-

*) With tactile mark

		
ID 1286909	-1B	-1C

Keycaps for machine functions

									
ID 1286909	-1D	-1E	-1F	-1G	-1H	-1K	-1L	-1M	-1N
									
ID 1286909	-1P	-1R	-1S	-1T	-1U	-1V	-1W	-1X	-1Y
									
ID 1286909	-1Z	-2A	-2B	-2C	-2D	-2E	-2H	-2K	-2R
									
ID 1286909	-	-2T	-2U	-2Z	-3A	-3E	-3F	-3G	-3H
ID 1344337*)	-05*)	-	-	-	-	-	-	-	-

*) With tactile mark

Other keycaps

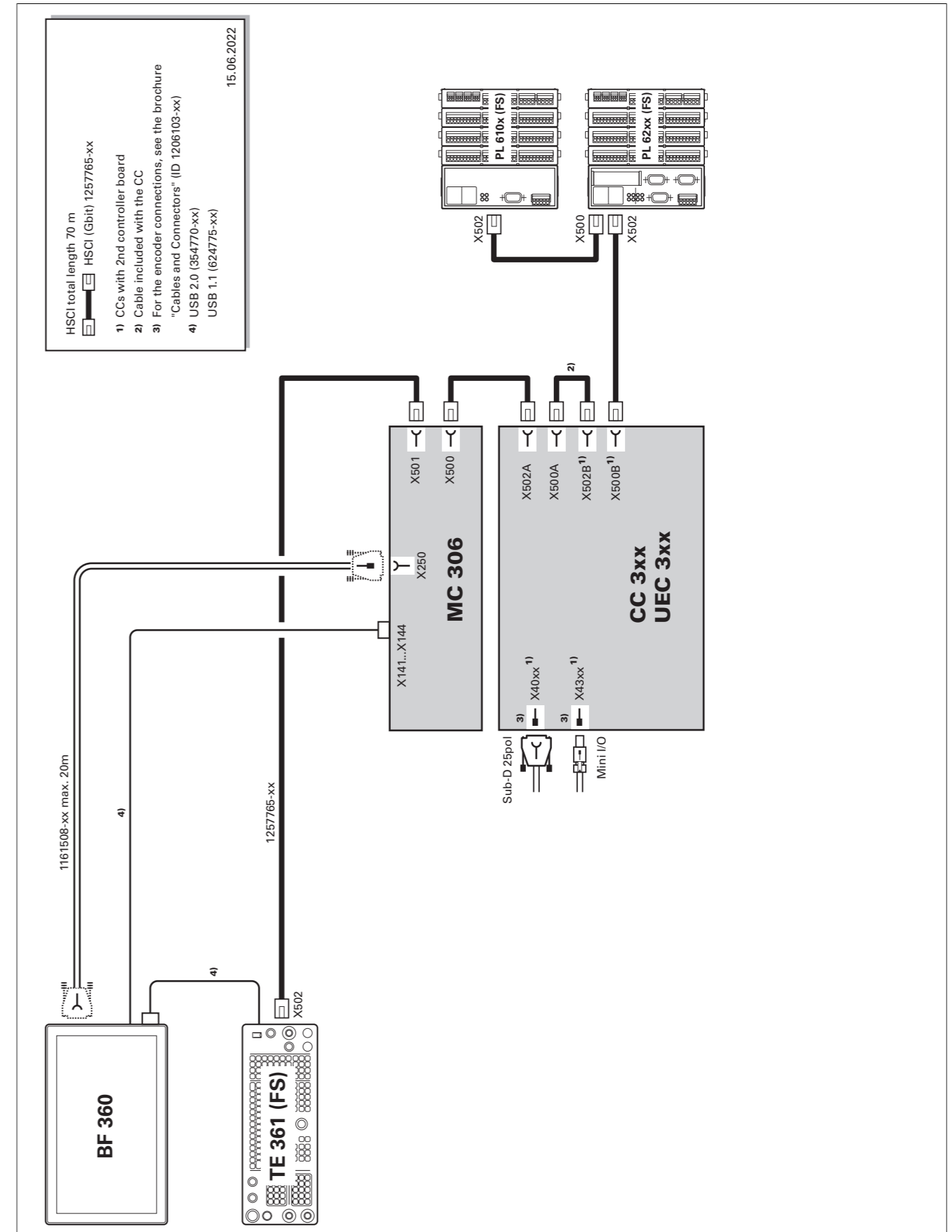
ID 1286909									
ID 1286909									
ID 1286909									
ID 1286909									
ID 1286909									

Special keys

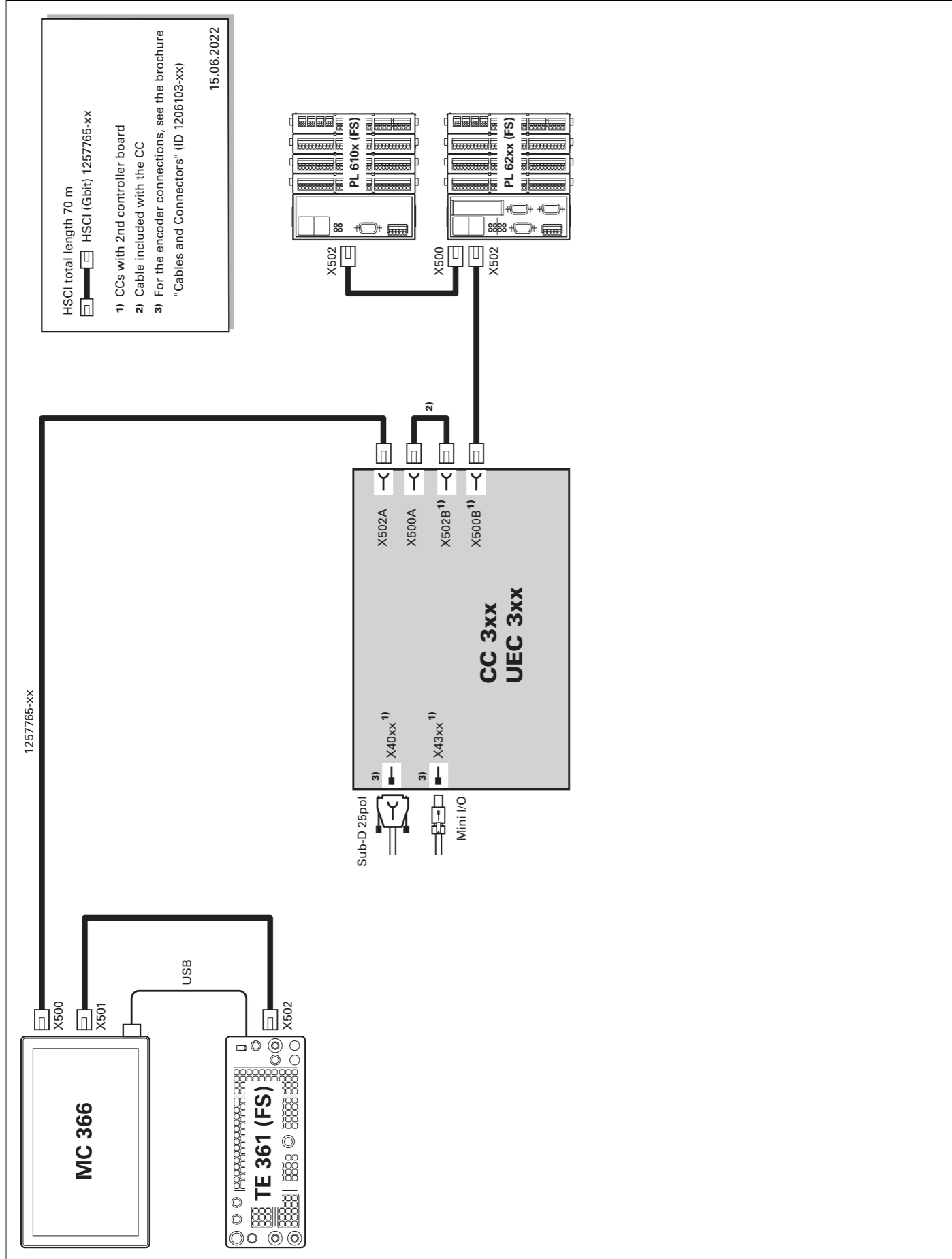
Keycaps can also be made with special key symbols for special applications. If you need keys for special applications, please consult your contact person at HEIDENHAIN.

Cable overview

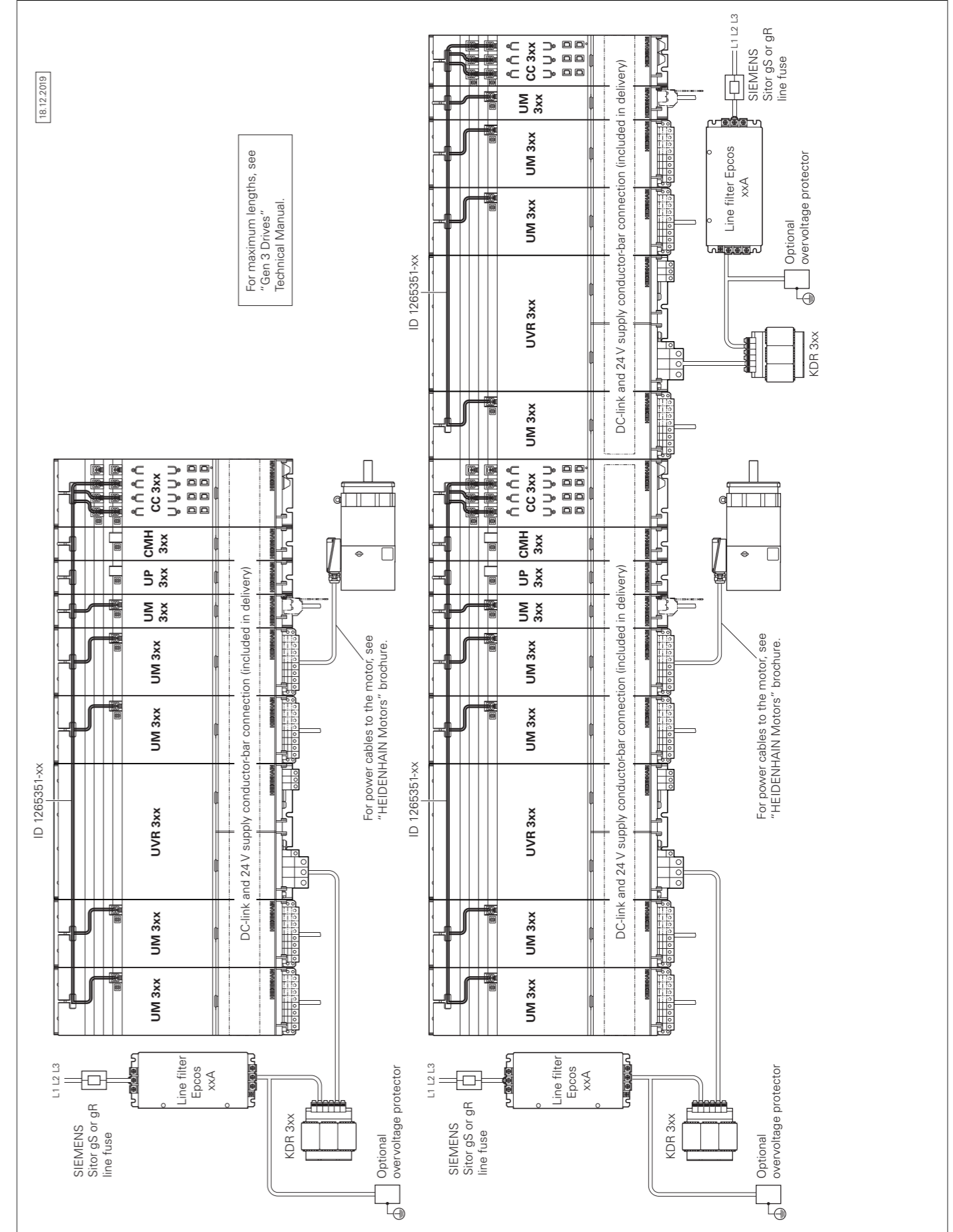
Control systems with CC or UEC (MC in electrical cabinet)



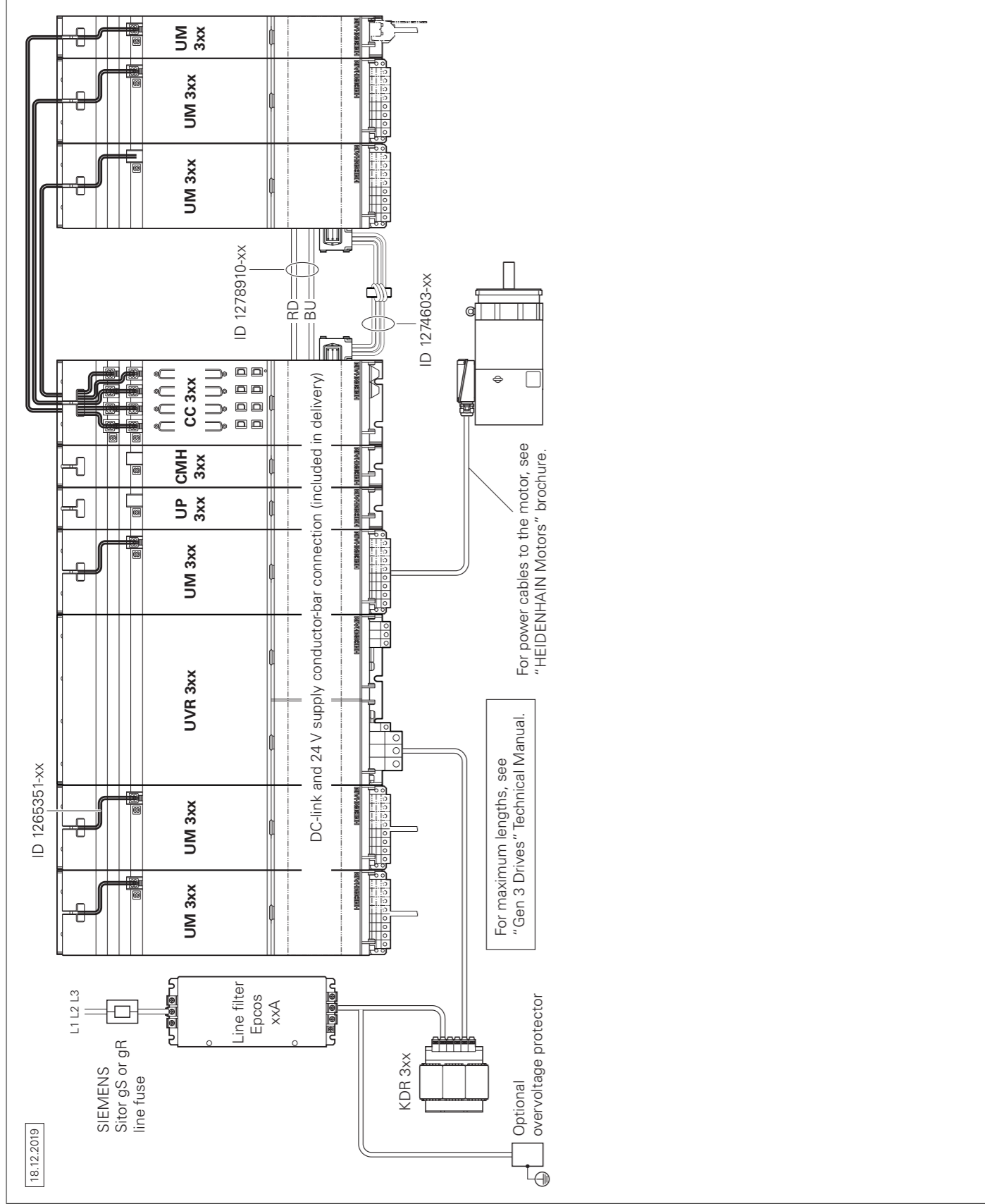
Control system with CC or UEC (MC in operating panel)



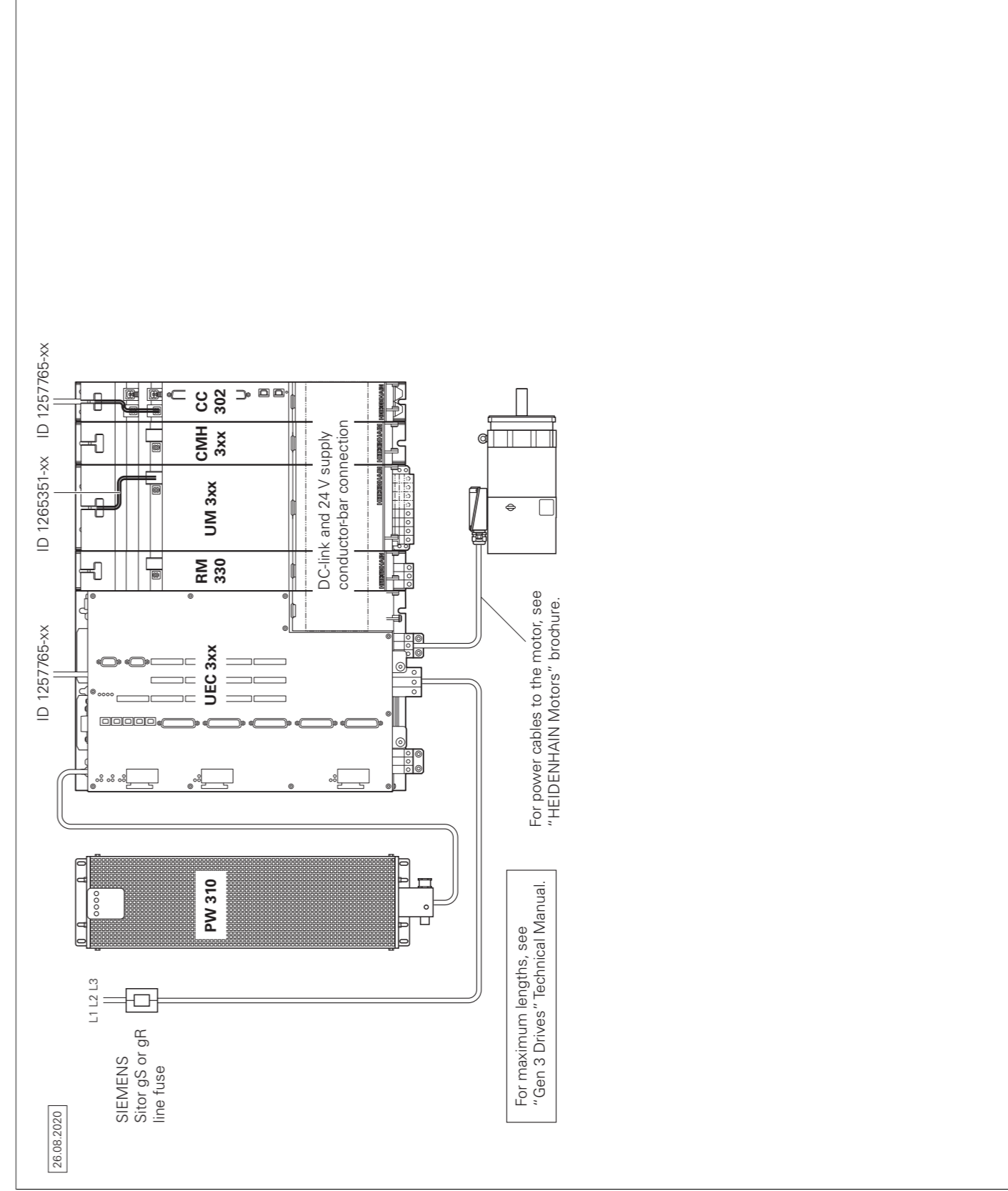
Inverter system



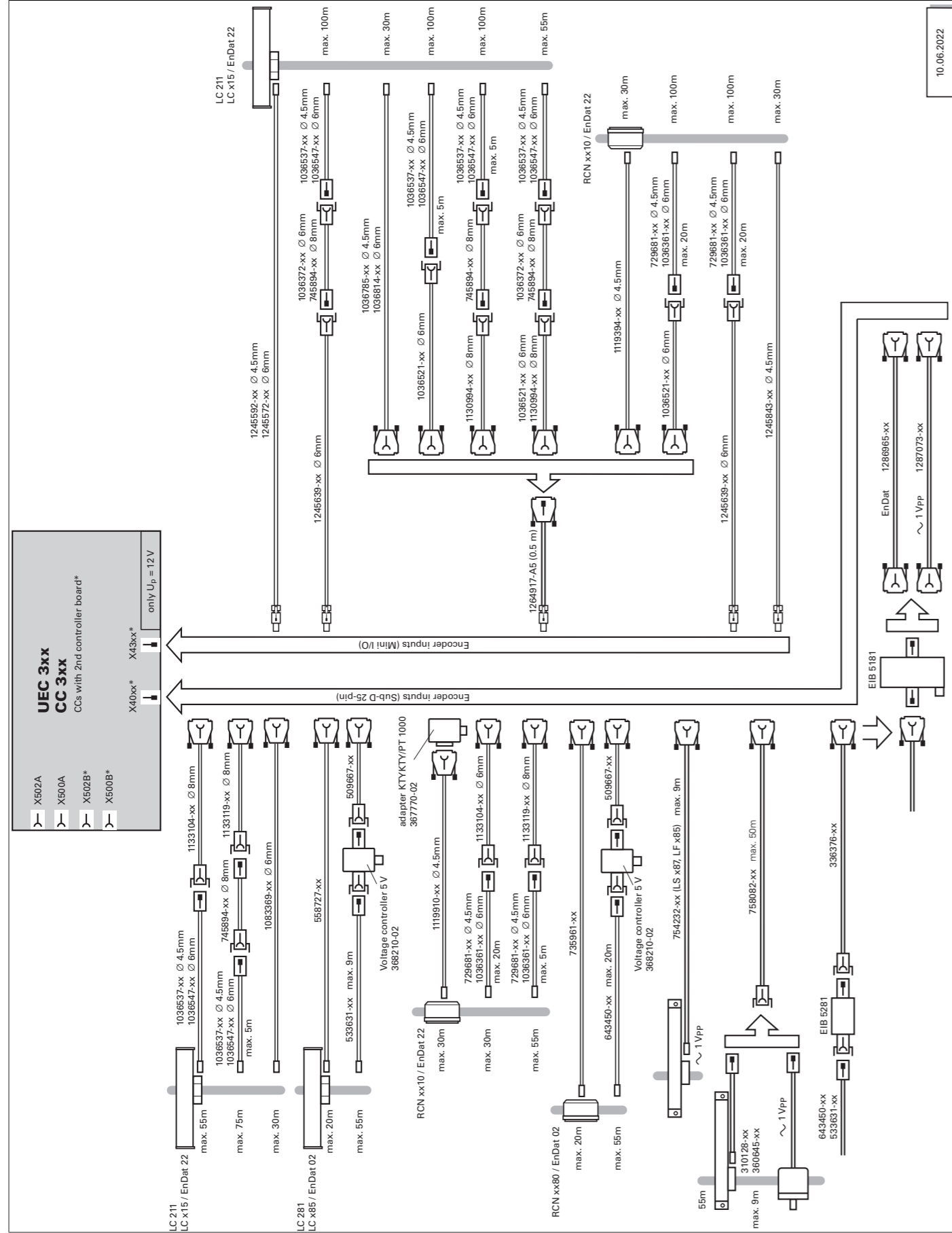
Inverters (multi-row)



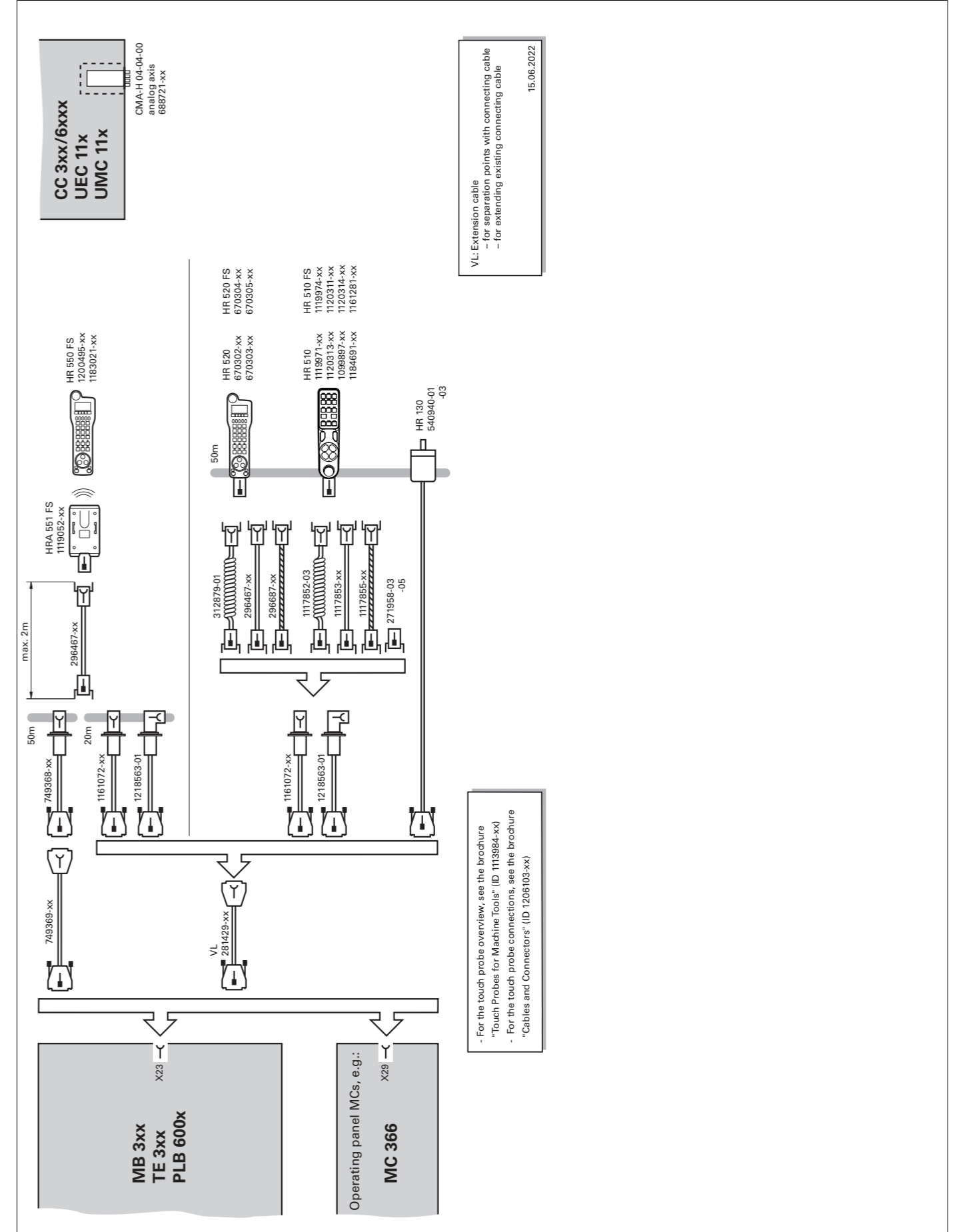
UEC 3xx (FS)



Encoders



Accessories



Technical description

Digital control design

Uniformly digital In the uniformly digital control design from HEIDENHAIN, all of the components are connected with each other via purely digital interfaces. A high degree of availability for the entire system, from the main computer to the encoder, is thereby achieved, with the system being diagnosable and immune to noise. The outstanding characteristics of the uniformly digital design from HEIDENHAIN guarantee very high accuracy and surface finish quality, combined with high traversing speeds.

Connection of the components:

- Control components via **HSCI** (HEIDENHAIN Serial Controller Interface), the HEIDENHAIN real-time protocol for Gigabit Ethernet
- Encoders via the **EnDat 2.2** bi-directional interface from HEIDENHAIN
- Power modules via digital optical fiber cables

HSCI HSCI, the HEIDENHAIN Serial Controller Interface, connects the main computer, controller(s), and other control components. The connection between two HSCI components is referred to as an HSCI segment. HSCI communication in Gen 3 control systems is based on Gigabit Ethernet hardware. All HSCI components and HSCI cables must therefore be Gigabit-capable. A special interface component developed by HEIDENHAIN makes short cycle times for data transfer possible.

Main advantages of the control design with HSCI:

- Hardware platform for a flexible and scalable control system (e.g. decentralized axis systems)
- High noise immunity due to digital communication between components
- Hardware basis for implementing functional safety
- Simple wiring (commissioning, configuration)
- Inverter connection via digital optical fiber cables
- Long line lengths in the overall system
- High number of possible control loops
- High number of PLC inputs/outputs
- Decentralized arrangement of the controller units

CC or UEC controller units, up to nine PL 6000 PLC I/O modules, and machine operating panels can be connected to the serial HSCI bus of the MC main computer. The HR handwheel is connected directly to the machine operating panel. The combination of monitor and main computer is especially advantageous if the computer is housed in the operating panel. Besides the power supply, all that is then required is an HSCI line to the controller unit in the electrical cabinet.

Maximum cable lengths for HSCI:

- For an HSCI segment: 70 m
- For up to 12 HSCI slaves: 290 m (total of all HSCI segments)
- For up to 13 HSCI slaves (maximum configuration): 180 m (total of all HSCI segments)

The order of the HSCI slaves can be freely chosen.

The maximum permissible number of individual HSCI participants is listed below:

Gbit HSCI component		Maximum number in the control system ¹⁾
MC, IPC	HSCI master	1
CC, UEC (drive-control motherboards)	HSCI slave	6
UVR	HSCI slave	5
MB, PLB 600x	HSCI slave	2
PLB 6xxx (integrated in UEC 3xx (FS))	HSCI slave	7
PLB 6xxx FS (integrated in UEC 3xx FS)	HSCI slave	2
HR		5
PLD-H xx-xx-xx FS	In PLB 6xxx FS	10 ²⁾
PLD-H xx-xx-xx, PLA-H xx-xx-xx	In PLB 6xxx (FS)	25 ²⁾
PAE-H xx-xx-xx	In PLB 62xx	13 ³⁾
UEC 3xx for external safety	HSCI slave (PAE module integrated)	13 ³⁾

¹⁾ For more information on the NCK software, see the *Technical Manual* of the respective control.

²⁾ Total maximum of 1000 inputs/outputs and maximum of 10 PL units (PL, PLB, MB, TE)

³⁾ Only in systems without integrated functional safety (FS)

Control systems with integrated functional safety (FS)

Basic principle	With controls with integrated functional safety (FS) from HEIDENHAIN, Safety Integrity Level 2 (SIL 2) as per the standard EN 61508 and Performance Level "d" Category 3 as per EN ISO 13849-1 can be attained. In these standards, the assessment of safety-related systems is based on, among other things, the failure probabilities of integrated components and subsystems. This modular approach aids the manufacturers of safety-related machines in implementing their systems, since they can then build upon prequalified subsystems. This design is taken into account for the TNC7 control, as well as for safety-related position encoders. Two redundant, mutually independent safety channels form the basis of the controls with functional safety (FS). All safety-relevant signals are captured, processed, and output via two channels. Errors are detected through a reciprocal data comparison of the two channels' states. Consequently, the occurrence of a single error in the control does not cause a loss in safety functionality.
Structure	The safety-related controls from HEIDENHAIN have a dual-channel design with mutual monitoring. The SPLC (safety-related PLC program) and SKERN (safety kernel software) software processes are the basis of the two redundant systems. The two software processes run on the MC main computer (CPU) and CC controller unit components. The dual-channel configuration through MC and CC is continued in the PLB 6xxx FS I/O systems and MB machine operating panel with FS (e.g. MB integrated in TE 361 FS. This means that all safety-relevant signals (e.g., permissive buttons and keys, door contacts, emergency stop button) are captured via two channels, and are evaluated independently of each other by the MC and CC. The MC and CC use separate channels to also address the power modules, and to stop the motors in case of an error.
Components	<p>In systems with functional safety, certain hardware components assume safety-relevant tasks. In systems with FS, only safety-relevant components are permitted to be used that, including their variant from HEIDENHAIN, are approved for this.</p> <p>Control components with functional safety FS can be recognized based on the addition of "FS" after the type designation, e.g. TE 361 FS.</p> <p>For a current list of the components approved for functional safety (FS), refer to <i>Functional safety (FS) supplement to the Technical Manual</i> (ID 1177599).</p>
MB and TE	An MB machine operating panel with functional safety is indispensable for systems with FS. Only on such a machine operating panel do all keys have a dual-channel design. Axes can be moved without additional permissive keys.

PLB	In systems with functional safety (FS), a combination of hardware (FS and standard) is possible, but a PLB 62xx FS is mandatory.
HR	In systems with functional safety (FS), FS handwheels are required because they are the only ones equipped with the required cross-circuit-proof permissive buttons.
Safety functions	<p>Safety functions integrated into hardware and software:</p> <ul style="list-style-type: none">• Safe stop reactions (SS0, SS1, and SS2)• Safe torque off (STO)• Safe operating stop (SOS)• Safely limited speed (SLs)• Safely limited position (SLP)• Safe brake control (SBC)• Safe operating modes<ul style="list-style-type: none">– Operating mode 1: Automated or production mode– Operating mode 2: Set-up mode– Operating mode 3: Manual intervention– Operating mode 4: Advanced manual intervention, process monitoring <p>Please note: Full functionality is not yet available for all machine types with functional safety (FS). Before planning a machine with functional safety (FS), please determine whether the current scope of features is sufficient for your machine design.</p>
Activation of functional safety (FS)	<p>The following requirements are absolutely necessary:</p> <ul style="list-style-type: none">• At least one PLB 62xx FS must be present in the system• Safety-relevant control components in FS design (e.g., TE 361 FS, HR 550 FS)• Safety-related SPLC program• Configuration of safe machine parameters• Wiring of the machine for systems with functional safety (FS) <p>Functional safety (FS) can be scaled via software options 160 to 166 and 169 (see Page 14). Only the number of safe drive systems actually needed must be enabled.</p> <p>For every active drive that is assigned to a safe axis group, a safe control loop must be enabled. The control will otherwise display an error message.</p>
For more information	For details, see the <i>Functional Safety FS</i> Technical Manual. Your contact person at HEIDENHAIN will be glad to answer any questions concerning controls with functional safety (FS).

Control systems with external safety

Basic principle In control systems without integrated functional safety (FS), no integrated safety functions, such as safe operating modes, safe speed monitoring, or safe operating stop, are available. Such functions must be implemented entirely with the help of external safety components.

Control systems without integrated functional safety (FS) solely support the realization of the safety functions STO (safe torque off: dual-channel interruption of the motor power supply) and SBC (safe brake control: dual-channel triggering of the motor holding brakes). The dual-channel redundancy of the functions must be realized by the OEM through appropriate wiring.

Design In control systems with external safety, a special PL module for the dual-channel triggering of STO and SBC is absolutely necessary. This module is the PAE-H 08-00-01, with which up to eight axis groups can be individually controlled.

Operating system

HEROS 5 The TNC7 and PNC 610 work with the real-time capable HEROS 5 operating system (HEIDENHAIN Realtime Operating System). This future-oriented operating system contains the following powerful functions as part of its standard repertoire:

Network

- Network: management of network settings
- Remote Desktop Manager: management of remote applications
- Printer: management of printers
- Shares: management of network shares
- VNC: virtual network computing server

Safety

- Portscan (OEM): port scanner
- Firewall: protection against undesired network access
- SELinux: protection against unauthorized changes to system files
- Sandbox: running applications in separated environments

System

- Backup/Restore: function for backing-up and restoring the software on the control
- HELogging: evaluation and creation of log files
- Perf2: system monitor
- User administration: define users with different roles and access permissions

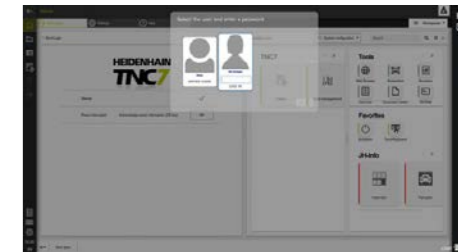
Tools

- Web browser: Firefox^{*)}
- Document Viewer: display PDF, TXT, XLS and JPEG files
- File Manager: file explorer for managing files and memory media
- Gnumeric: spreadsheet calculations
- Leafpad: text editor for creating notes
- Ristretto: display of image files
- Orage Calendar: simple calendar function
- Screenshot: creation of screendumps
- Totem: media player for playing audio and video files

User administration

The improper operation of a control often leads to unplanned machine downtime and costly scrap. The user administration feature can significantly improve process reliability through the systematic avoidance of improper operation. Through the configurable linkage of rights with user roles, access can be tailored to the activities of the respective user.

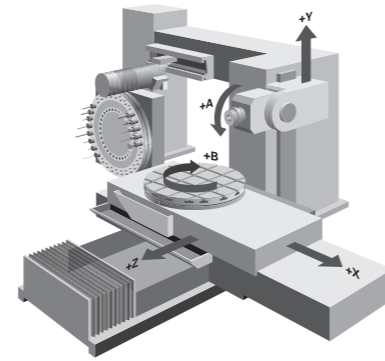
- Logging on to the control with a user account
- User-specific HOME folder for simplified data management
- Role-based access to the control and network data



^{*)} Firefox is a registered trademark of the Mozilla Foundation

Axes

Linear axes Depending on its configuration, the TNC7 can control linear axes with any axis designation (X, Y, Z, U, V, W, ...).



Display and programming Feed rate in mm/min relative to the workpiece contour, or mm per spindle revolution

Feed rate override: 0 % to 150 %

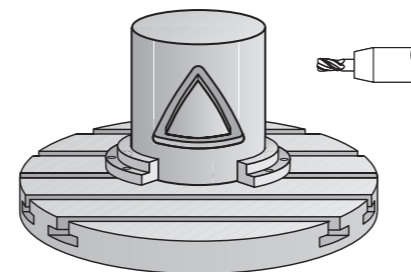
Traverse range The machine manufacturer defines the traverse range. The user can additionally limit the range of traverse in order to limit the working space. Three different traverse ranges can be defined (selection via PLC).

Rotary axes The TNC7 can control rotary axes with any axis designation (A, B, C, U, ...). Special parameters and PLC functions are available for rotary axes with Hirth coupling.

Display and programming 0° to 360° or Feed rate in degrees per minute [°/min]

Traverse range The machine manufacturer defines the traverse range. The user can additionally limit the range of traverse in order to limit the working space.

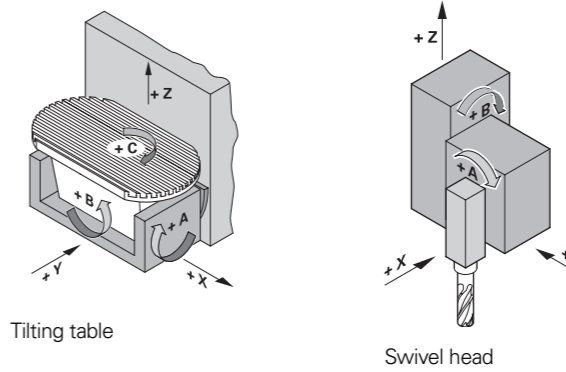
Cylinder Surface Interpolation (software option 8) A contour defined in the working plane is machined on a cylindrical surface.



Tilting the Working Plane (software option 8)

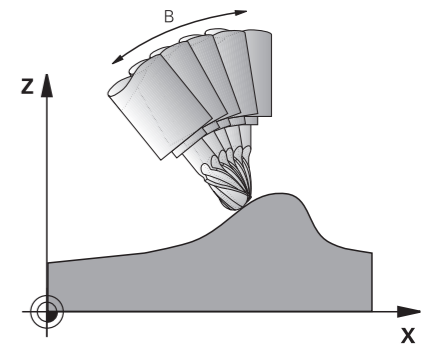
The TNC7 has special coordinate transformation cycles for controlling swivel heads and tilting tables. The tool lengths and the offset of the tilting axes are compensated for by the TNC.

The TNC can manage more than one machine configuration (e.g. different swivel heads).



5-Axis Machining (software option 9)

Tool Center Point Management (TCPM) The offset of the tilting axes is compensated for in a manner such that the position of the tool tip relative to the contour is maintained. Even during machining, handwheel positioning commands can be superimposed such that the tool tip remains on the programmed contour.

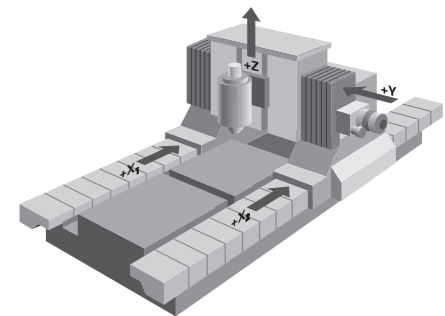


Synchronized Axes

Synchronized axes move in synchronism and are programmed with the same axis designation.

With HEIDENHAIN controls, parallel axis systems (gantry axes) such as on portal-type machines or tilting tables can be moved synchronously to each other through high-accuracy and dynamic position control.

In the case of **gantry axes**, multiple gantry slave axes can be assigned to a single master axis. They may also be distributed to multiple controller units.

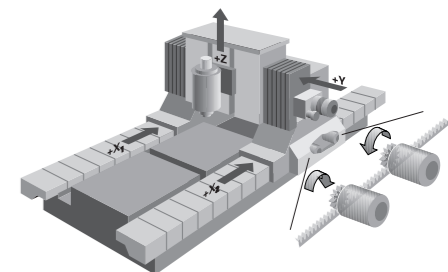


Torque Control

Torque control is used on machines with mechanically coupled motors, for which

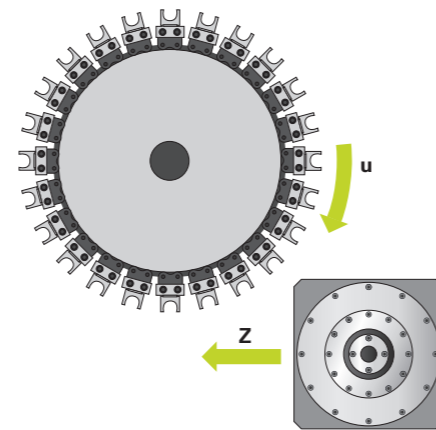
- a defined distribution of drive torque is desired,
- or
- parts of the controlled system show a backlash effect that can be eliminated by "tensioning" the motors (e.g. toothed racks).

For torque control, the master and slave must be on the same controller motherboard. Depending on the controller unit being used, up to five slave axes can thereby be configured for each master.



Real-Time Coupling Function (software option 135)

The real-time coupling function (synchronizing functions) allows the cyclic calculation of a position offset for an axis from the actual and nominal values of any other axes in the system. This function allows complex, simultaneous movements of multiple NC or PLC axes to be implemented. The interdependencies of the axes are defined in mathematical formulas.



Batch Process Manager (software option 154)

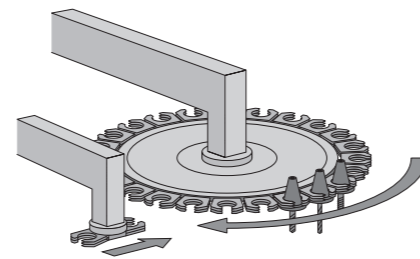
Batch Process Manager provides functions for the planning and execution of multiple production jobs on the TNC. It makes it possible to easily edit pallets and to alter the sequence of pending jobs. Batch Process Manager also performs a duration calculation for all planned jobs or NC programs. It informs the user as to whether, for example, all NC programs can be executed without error or whether all required tools are available with sufficient tool life. Batch Process Manager thereby ensures the smooth execution of the planned jobs. Batch Process Manager also requires software option 22 (Pallet Management) to be enabled.

Global PGM Settings (software option 44)

The functions provided by global program settings allow adaptation of the machining process without changing the original NC program. This makes it easy to mirror axes or activate additional offsets, for example. The TNC7 also provides the ability to use handwheel superimposition in various coordinate systems and utilize virtual tool axes. This function is typically employed in toolmaking and mold manufacturing.

PLC axes

Axes can be defined as PLC axes. Programming is performed through M functions or OEM cycles. The PLC axes are positioned independently of the NC axes and are therefore designated as asynchronous axes.



Turning

Turning Operations (software option 50 or 158)

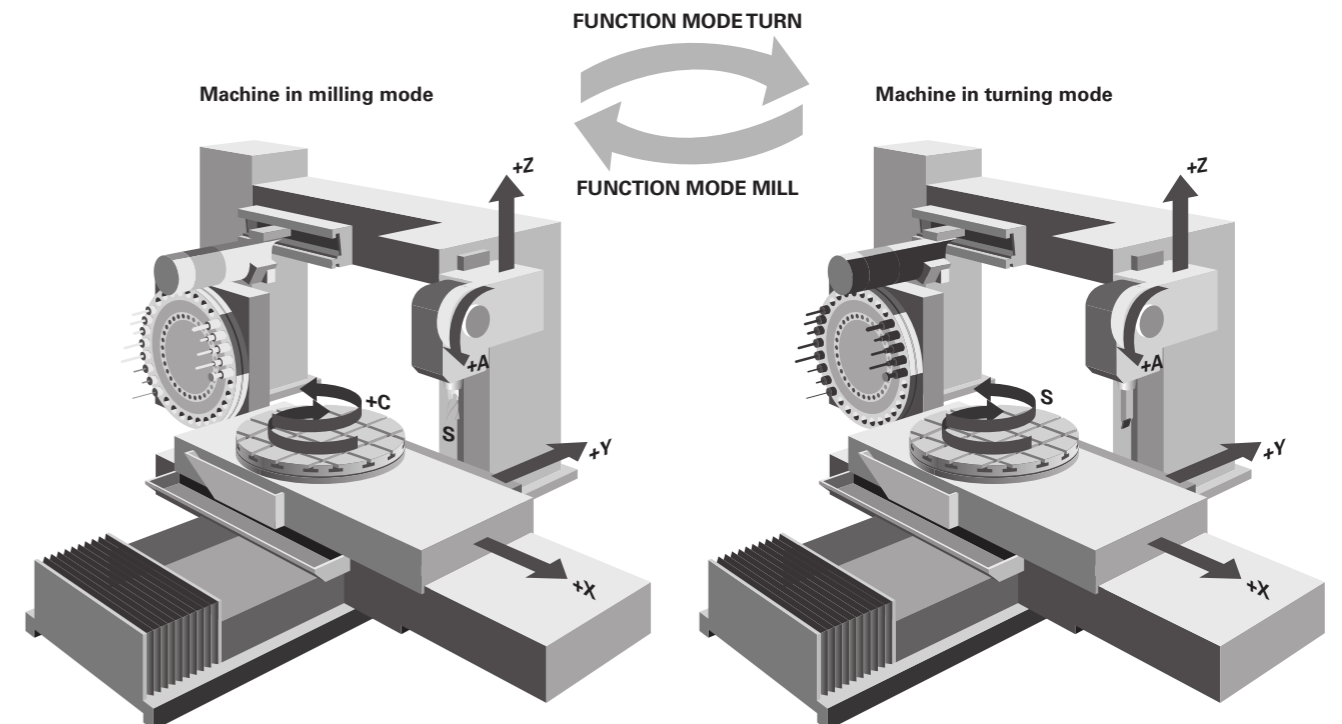
The TNC7 supports machines that can perform a combination of milling and turning operations in a single setup. It offers the operator a comprehensive package of cycles for both types of operations, which are programmed in HEIDENHAIN's shopfloor-oriented Klartext format. Rotationally symmetric contours are produced during turning operations. The preset must be in the center of the lathe spindle for this.

In turning mode, the rotary table serves as the lathe spindle, while the milling spindle with the tool remains stationary. Milling-turning machines are subject to special demands. A basic requirement is a machine designed with high rigidity so as to ensure a low oscillation tendency even when the machine table (acting as lathe spindle) is turning at high speeds.

Toggling between milling and turning modes

When switching between milling and turning mode, the TNC switches diameter programming on or off, selects the XZ working plane for turning, and displays "Milling" or "Turning" mode in the status display.

The user switches between turning and milling mode with the NC command FUNCTION MODE TURN or FUNCTION MODE MILL. The machine-specific procedures necessary for this are realized via OEM macros. In these macros, the OEM defines, for example, which kinematic model is active for the turning or milling operation, and which axis and spindle parameters take effect in milling or turning mode. Because the FUNCTION MODE TURN and FUNCTION MODE MILL commands are independent of the machine model, NC programs can be exchanged between different types of machines.



Support for facing slides (facing heads)

With complete support for facing slides, the TNC7 provides an additional way of performing turning operations on a milling machine. A longitudinal turning tool, for example, can be mounted to the facing slide and called with a TOOL CALL block. Even complex turning operations are programmed with familiar ease using cycles. Machining operations with the facing slide can be carried out with the TNC7 in any inclination (PLANE functions). In addition, numerous useful turning functions, such as constant cutting speed, are available. The use of facing slides requires the enabling of software option 50 or 158 for turning operations on the TNC7.

Measuring unbalance and balancing

An important and basic requirement for turning operations is that the radial runout of the workpiece has been balanced. Both the machine (rotary table) and the workpiece must be balanced before machining. If the clamped workpiece has an unbalance, undesirable centrifugal forces can result, influencing the accuracy of the runout.

An unbalance on the rotary table can endanger the safety of the user and has a negative effect on the quality of the workpiece and the service life of the machine.

The TNC7 can detect an unbalance in the rotary table based on the effects of the centrifugal forces on neighboring linear axes. To this end, the rotary table should ideally be positioned via a linear axis. For other machine designs, unbalance detection by means of external sensors lends itself as a solution.

The TNC7 offers the following functions:

- **Unbalance calibration**

A calibration cycle determines the unbalance behavior of the rotary table. This unbalance calibration is generally performed by the OEM before the machine is shipped. During execution of the calibration cycle, the TNC generates a table describing the unbalance behavior of the rotary table.

- **Balancing**

After the blank to be turned has been set up, the user can ascertain the unbalance using a measuring cycle. During balancing, the TNC supports the user by displaying the mass and position of the balancing weights.

- **Unbalance monitoring**

During the machining operation, the TNC continually monitors the unbalance. An NC stop is triggered if a specified limit value is exceeded.

Gear Cutting (software option 157)

The Gear Cutting software option provides user-friendly cycles for the economical production of external and internal gear teeth. The hobbing and skiving cycles enable the complete machining of high-quality gear teeth in a single setup, including static shifting for prolonged tool life and synchronous shifting for the production of helical gear teeth.

Turning v2 (software option 158)

The software option Turning v2 includes all functions of software option 50 (Turning).

In addition, software option 158 offers the following advanced turning functions:

- Cycle 882 SIMULTANEOUS ROUGHING FOR TURNING
- Cycle 883 TURNING SIMULTANEOUS FINISHING

The advanced turning functions make it possible, for example, to rough and finish complex contours in one run to avoid optical transitions, to produce workpieces with undercuts, and to better utilize indexable inserts. Furthermore, the TNC7 makes it possible to define FreeTurn tools and to use them, e.g., for inclined or simultaneous turning operations. FreeTurn tools are lathe tools that are equipped with multiple cutting edges. Depending on the variant, a single FreeTurn tool may be capable of axis-parallel and contour-parallel roughing and finishing. Thanks to the use of FreeTurn tools, fewer tool changes are required, reducing the machining time.

Grinding operations

Grinding (software option 156)

With its Grinding option, the TNC7 supports jig grinding technology for the fine machining of 2D contours.

Grinding operations are programmed with the familiar HEIDENHAIN Klartext dialog guidance. Convenient cycles are available to the user. Instead of a milling cutter, jig grinding employs a grinding tool (e.g., grinding pin) for material removal. Since machining is performed in milling mode, a separate operating mode is not needed.

A stroke movement or oscillating movement in the tool axis can be activated by means of a cycle. There is also the capability of dressing or truing-up grinding tools inside the machine.

Spindle

Overview

The TNC7 contouring control operates in conjunction with the HEIDENHAIN inverter systems with field-oriented control. As an alternative, an analog nominal speed value can be output.

Controller unit

With the CC controller units and the UxC inverters, a fundamental PWM frequency can be set for each output. In this case, every output can have its own fundamental PWM frequency (e.g., with the CC 306: X551 = 4 kHz, X552 = 5 kHz, etc.).

Possible fundamental frequencies are 3.33 kHz, 4 kHz, or 5 kHz.

With software option 49 (Double Speed), this frequency can be increased to up to 16 kHz for fast-turning spindles (e.g., HF spindles).

Maximum spindle speed

The maximum spindle speed is calculated as follows:

$$n_{\max} = \frac{f_{\text{PWM}} \cdot 60000 \text{ rpm}}{\text{NPP} \cdot 5000 \text{ Hz}}$$

f_{PWM} = PWM frequency in Hz
 NPP = Number of pole pairs

Operating mode switchover

For controlling the spindle, different parameter sets can be saved for closed-loop control (e.g. for wye or delta connections). You can switch between the parameter sets in the PLC.

Position-controlled spindle

The position of the spindle is monitored by the control.

Encoder

HEIDENHAIN rotary encoder with sinusoidal voltage signals (1 V_{pp}) or EnDat interface.

Tapping

There are special cycles for tapping with or without a floating tap holder. For tapping without a floating tap holder, the spindle must be operated under position control.

Spindle orientation

With a position-controlled spindle, the spindle can be positioned exactly to 0.1°.

Spindle override

0 % to 150 %

Gear stages

A specific nominal speed can be defined for each gear stage. The gear code is output via the PLC.

Multiple main spindles

Up to 4 spindles can be controlled alternately. The spindles are switched by the PLC. One control loop is required for each active spindle.

Spindle Synchronism (software option 131)

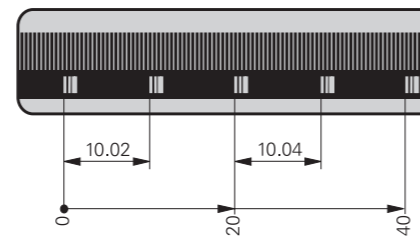
The Spindle Synchronism software option allows the speed of two or more spindles to be synchronized. Spindle synchronization is also possible with a transmission ratio or a defined offset.

Encoders

Overview For speed and position control of the axes and spindle, HEIDENHAIN offers both incremental and absolute encoders.

Incremental encoders Incremental encoders have as their measuring standard a grating consisting of alternating lines and spaces. Relative movement between the scanning head and the scale causes the output of sinusoidal scanning signals. The measured value is calculated by counting the signals.

Reference mark After the machine has been switched on, the relationship between the measured value and the machine position must be established by traversing the reference marks. For encoders with distance-coded reference marks, the maximum travel until automatic reference mark storage for linear encoders is only 20 mm or 80 mm, depending on the model, or 10° or 20° for angle encoders.



Evaluation of reference marks The routine for traversing the reference marks can also be started for specific axes via the PLC during operation (reactivation of parked axes).

Output signals Incremental encoders with sinusoidal output signals with ~ 1 V_{pp} levels are suitable for connection to HEIDENHAIN numerical controls.

Absolute encoders With absolute encoders, the position information is contained in several coded tracks. Thus, an absolute reference is available immediately after switch-on. Reference-mark traverse is not necessary. For cyclical closed-loop operation, position information from incremental signals can be used, or from serial absolute signals (EnDat 2.2) with very short cycles.

EnDat interface The TNC7 features the serial EnDat 2.2 interface (includes EnDat 2.1) for the connection of absolute encoders.

Note: The EnDat interface on HEIDENHAIN encoders differs in its pin layout from the interface on Siemens motors with integrated absolute ECN/EQN rotary encoders. Special adapter cables are available.

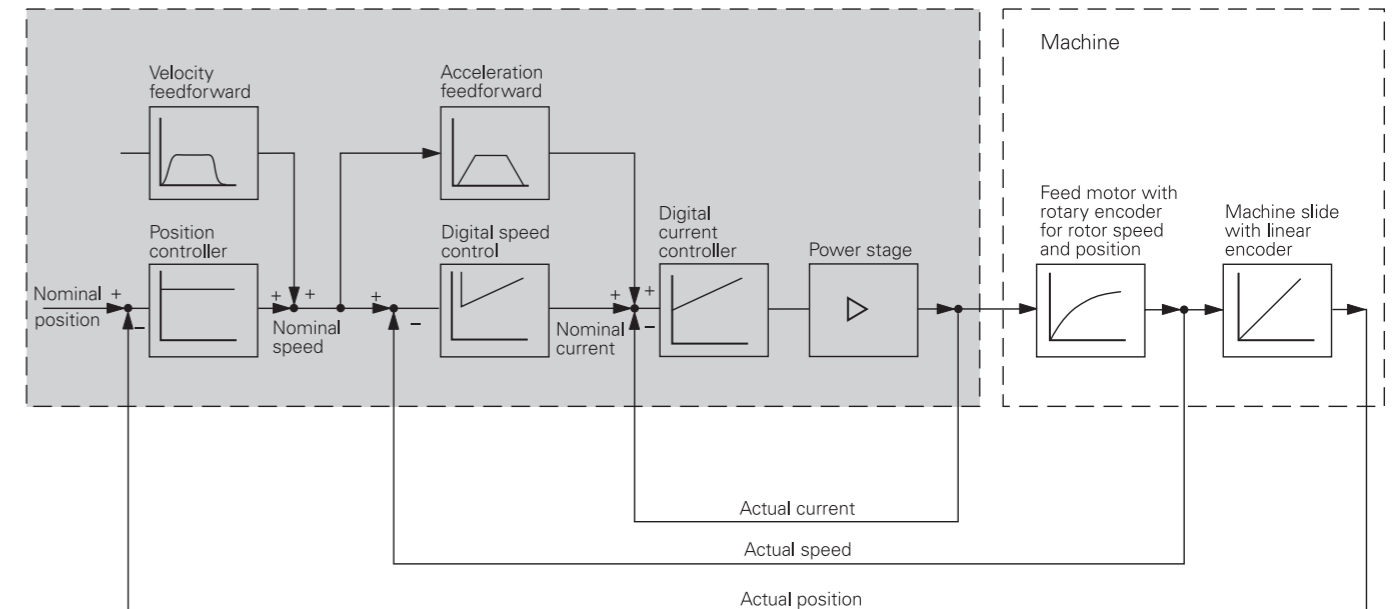
Encoder inputs Incremental and absolute linear, angle, or rotary encoders from HEIDENHAIN can be connected to all **encoder** inputs of the controller unit.

Channel inputs	Signal level/ Interface ¹⁾	Input frequency ¹⁾	
		Position	Speed
Incremental signals	~1 V _{pp} EnDat 2.1	33 kHz/350 kHz	350 kHz
Absolute position values	EnDat 2.1 EnDat 2.2	–	–

¹⁾ Switchable

Digital servo control

Integrated inverter HEIDENHAIN synchronous or asynchronous motors are connected to the TNC7.



Axis feedback control The TNC7 can be operated with feedforward control or servo lag.

Operation with feedforward control Feedforward means that a given velocity and acceleration are adapted to the machine. Together with the values calculated from the servo lag, this given velocity and acceleration becomes the nominal value. A much lower servo lag thereby manifests itself.

Operation with servo lag The term “servo lag” denotes the distance between the momentary nominal position and the actual position of the axis. The velocity is calculated as follows:

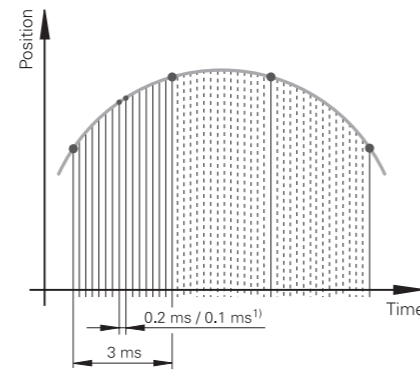
$$v = k_v \cdot s_a$$

v = Velocity
 k_v = Position loop gain
 s_a = Servo lag

Compensation of torque ripples The torque of synchronous, torque, and linear motors is subject to periodic oscillations, one cause of which can be permanent magnets. The amplitude of this torque ripple depends on the motor design and, under certain circumstances, can have an effect on the workpiece surface. During initial configuration of the axes with TNCopt, this “torque ripple” can be compensated for by means of the Torque Ripple Compensation (TRC) function of the CC or UEC.

Control-loop cycle times

The cycle time for **path interpolation** is defined as the time interval during which interpolation points on the path are calculated. The cycle time for **fine interpolation** is defined as the time interval during which interpolation points are calculated that lie within the interpolation points calculated for path interpolation. The **cycle time for the position controller** is defined as the time interval during which the actual position value is compared to the calculated nominal position value. The **speed controller cycle time** is the time interval in which the actual speed value is compared to the calculated nominal speed value. The **cycle time for the current controller** is defined as the time interval during which the actual value of the electrical current is compared to the calculated nominal value of the electrical current.



	CC/UEC/UMC
Path interpolation	See values on Page 6
Fine interpolation	
Position controller	
Speed controller	
Current controller	

Axis clamping

The control loop can be opened through the PLC in order to clamp specific axes.

Double-Speed Control Loops (software option 49)

Double-speed control loops permit higher PWM frequencies and shorter cycle times for the speed controller. This enables improved current control for spindles and higher controller performance for linear and torque motors.

Crossover Position Filter (CPF)

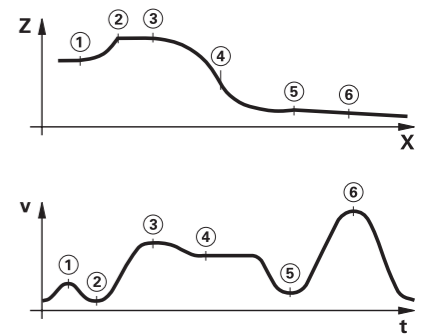
To increase the stability of the position control loop in systems with resonances, the position signal from the position encoder, which is filtered through a low-pass filter, is combined with the position signal from the motor speed encoder, which is filtered through a high-pass filter. This signal combination is made available to the position controller as the actual position value. The possible position controller gain (k_v factor) is increased significantly by this. The filter separation frequency is set specifically for each axis via machine parameters. The CPF can be used only in dual-encoder systems; i.e., on motors with a speed encoder and position encoder.

Fast contour milling

Short block processing time

The TNC7 provides the following important features for fast contour machining.

The block processing time of the MC is less than 0.5 ms. This means that during the execution of long programs from the hard drive, the TNC7 can even mill contours approximated in 0.2 mm line segments at a feed rate of greater than 24 m/min.



Look-ahead

The TNC7 calculates the geometry ahead of time in order to adjust the feed rate (max. 5000 blocks). In this way, directional changes are detected in time to accelerate or decelerate the appropriate NC axes.

Jerk

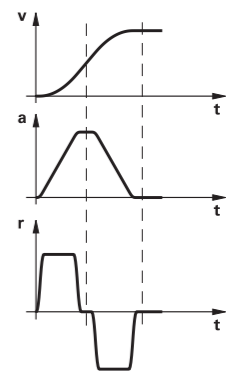
The derivative of acceleration is referred to as jerk. A linear change in acceleration causes a jerk step. Such motion sequences may cause the machine to oscillate.

Jerk limiting

To prevent machine oscillations, the jerk is limited in order to attain optimum path control.

Smoothed jerk

The jerk is smoothed by nominal position value filters. The TNC7 therefore mills smooth surfaces at the highest possible feed rate and yet keeps the contour accurate. The permitted tolerance is programmed by the user via a cycle. Special filters for HSC machining (HSC filters) can suppress machine-specific natural frequencies. The desired accuracy along with very high surface quality are attained.



Advanced Dynamic Prediction (ADP)

The Advanced Dynamic Prediction (ADP) function enhances the look-ahead of the permissible maximum feed rate profile, thereby enabling optimized motion control for clean surface finishes and perfect contours. The strengths of ADP are evident, for example, during bidirectional finish milling through symmetrical feed behavior on the forward and reverse paths as well as through particularly smooth feed rate curves on parallel milling paths. NC programs that are generated on CAM systems have a negative effect on the machining process due to various factors such as short, step-like contours; coarse chord tolerances; and heavily rounded end-point coordinates. Through an improved response to such factors and the exact adherence to dynamic machine parameters, ADP not only improves the surface quality of the workpiece but also optimizes the machining time.



Top figure: part milled with ADP
Bottom figure: part milled without ADP

Dynamic Efficiency

Overview

With the concept of Dynamic Efficiency, HEIDENHAIN offers innovative TNC functions that help the user to make heavy machining and roughing more efficient while also enhancing process reliability. Dynamic Efficiency permits higher removal rates and therefore increases productivity. At the same time, it prevents any tool overloading and the concomitant premature cutter wear.

Optimized Contour Milling (OCM, software option 167) takes the Dynamic Efficiency package of functions into the second generation.

Dynamic Efficiency Generation 2 covers three software functions:

- **ACC** (Active Chatter Control): This software option reduces chatter susceptibility, thus enabling higher feed rates and infeeds.
- **AFC** (Adaptive Feed Control): This software option controls the feed rate based on the machining situation.
- **OCM** (Optimized Contour Milling): The OCM software option allows pockets and islands of any shape to be machined with low tool wear using the highly efficient trochoidal milling method.

Individually, each of these solutions delivers key improvements to the machining process. But in combination, these TNC functions bring out the full potential of the machine and tool while reducing the mechanical load.

With Adaptive Feed Control (AFC), the contouring feed rate is controlled based on the respective percentage of spindle power.

Benefits of adaptive feed control:

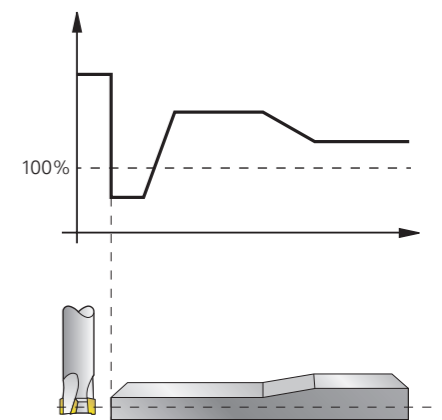
- Optimization and reduction of machining time
- Prevention of subsequent damage through tool monitoring
- Automatic insertion of a replacement tool when the tool is worn (machine-dependent function)
- Protection of the machine mechanics
- Documentation by capturing and saving the learning and process data
- Integrated NC function, and therefore an alternative to external software solutions

Restrictions:

AFC cannot be used for analog spindles or in volts-per-hertz control mode.

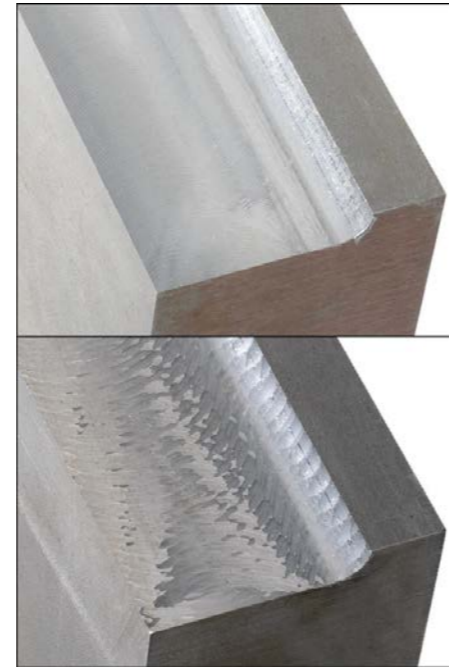
Adaptive Feed Control (AFC, software option 45)

dynamic + efficiency



Active Chatter Control (ACC, software option 145)

During heavy machining (roughing at high cutting power), strong milling forces arise. Depending on the tool spindle speed, the resonances in the machine tool, and the chip volume (metal-removal rate during milling), the phenomenon known as “chatter” may occur. Chatter subjects the machine to heavy strain and causes ugly marks on the workpiece surface. The tool, too, undergoes heavy and irregular wear due to chatter, even breaking in extreme cases. To reduce chatter tendencies, HEIDENHAIN offers an effective option with its Active Chatter Control (ACC) solution. This option is particularly advantageous during heavy machining. ACC enables substantially higher cutting performance: depending on the machine model, the metal removal rate can be increased by 25% or more. Thus, you can reduce the load on your machine while simultaneously increasing the life of your tools.



Top figure: part milled with ACC
Bottom figure: part milled without ACC

Optimized Contour Milling (OCM, software option 167)

With Optimized Contour Milling (OCM), you can machine pockets and islands of any shape while reducing tool wear thanks to highly efficient trochoidal milling. You simply program the contour as usual directly in Klartext or make use of the convenient CAD Import function. The control then automatically calculates the complex movements required for trochoidal milling.

Advantages of OCM over conventional machining:

- Reduced thermal load on the tool
- Superior chip removal
- Uniform cutting conditions
- Higher possible cutting parameters
- Higher removal rates
- No need for adjustments by the machine manufacturer
- Cutting data calculator for the automatic calculation of cutting values

Dynamic Precision

Overview

The umbrella term Dynamic Precision encompasses a number of HEIDENHAIN milling solutions that significantly improve the dynamic accuracy of a machine tool. The dynamic accuracy of machine tools can be seen in the errors at the tool center point (TCP). The size of these errors depends on the magnitudes of the motion (e.g., speed and acceleration, as well as jerk) and result from the vibrations of the machine components, among other things. Taken together, all of these errors are partially to blame for dimensional errors and faults on the surfaces of workpieces. They therefore have a decisive impact on quality and, in the event of quality-related scrap, on productivity as well.

The functions of the Machine Vibration Control (MVC) software option and the expanded functions of the Motion Adaptive Control (MAC) software option characterize the second generation of Dynamic Precision.

Because the stiffness of machine tools is limited for reasons of design and economy, problems such as compliance and vibration within the machine design are very difficult to avoid. Dynamic Precision counteracts these problems with intelligent control technology to enable designers to further improve the quality and dynamic performance of machine tools. As a result, production time and cost are reduced.

The software options that make up Dynamic Precision Generation 2 can be deployed by the machine manufacturer both alone or in combination:

- **CTC:** compensates for acceleration-dependent position errors at the tool center point, thereby increasing accuracy in acceleration phases
- **MVC:** damps machine oscillations to improve workpiece surface quality through the following functions:
 - AVD (Active Vibration Damping)
 - FSC (Frequency Shaping Control)
- **PAC:** position-dependent adaptation of control parameters
- **LAC:** load-dependent adaptation of control parameters enhances accuracy regardless of load and aging
- **MAC:** motion-dependent adaptation of control parameters

Load Adaptive Control (LAC, software option 143)

With LAC (software option 143), you can dynamically adjust controller parameters based on the load or friction.

The dynamic behavior of machines with rotary tables can vary depending on the mass moment of inertia of the fixed workpiece. The Load Adaptive Control (LAC) software option allows the control to automatically determine the current mass moment of inertia of the workpiece and the current frictional forces.

In order to optimize changed control behavior at differing loads, various controller parameters (e.g., loop gains, and feedforward controls for acceleration, holding torque, static friction, and friction at high shaft speeds) can be adapted to the currently active load.

dynamic + precision

Motion Adaptive Control (MAC, software option 144)

Along with the load-based modification of machine parameters through the LAC software option, the Motion Adaptive Control (MAC) software option allows machine parameters to be changed based on their initial values, such as speed, servo lag, or acceleration. Through this motion-dependent adaptation of the control parameters, a speed-dependent adaptation of the k_v factor can be implemented for drive systems whose stability changes due to the different traversing speeds.

The software option MAC was enhanced with the adaptive gear error compensation of Dynamic Precision Generation 2. Surface quality problems often do not arise from machine resonances but rather from transmission errors in mechanical components of the feed drive systems. Transmission elements in the machine tool's power train, such as a rack and pinion, often cause unwanted shading on the workpiece surface. This results in cost-intensive rework, particularly in tool and mold making. The active gear-error compensation minimizes these periodic interferences.

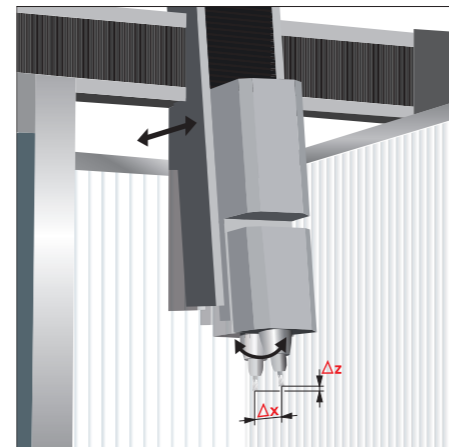
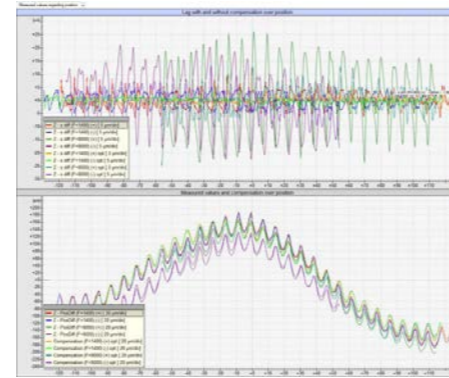
Cross Talk Compensation (CTC, software option 141)

CTC (software option 141) enables the compensation of dynamic position errors potentially arising from acceleration forces.

To increase productivity, machine tool users ask for ever higher feed rates and acceleration values, while at the same time needing to maintain the highest possible surface quality and accuracy, placing very special requirements on path control.

Highly dynamic acceleration processes introduce forces to the structure of a machine tool. They can deform parts of the machine and thereby lead to deviations at the tool center point (TCP). Besides deformation in axis direction, the dynamic acceleration of an axis due to mechanical axis coupling can also result in deformation of axes that are perpendicular to the direction of acceleration. The resulting position error at the TCP in the direction of the accelerated axis and lateral axes is proportional to the amount of acceleration.

If the dynamic position errors relative to the axis acceleration are known, then these acceleration-dependent errors can be compensated for by the Cross Talk Compensation (CTC) software option in order to avoid negative effects on the surface quality and accuracy of the workpiece. Often, the resulting error at the TCP depends not only on the acceleration but also on the position of the axes in the working space. This can also be compensated for by CTC.



Machine Vibration Control (MVC, software option 146)

The high dynamics of modern machine tools lead to deformations in the machine base, frame, and drive train during acceleration and deceleration of the feed motors. This results in vibrations, such as machine setup vibrations, that may reduce the attainable accuracy and surface quality of the workpieces. With Machine Vibration Control (MVC, software option 146), two functions that effectively suppress low-frequency vibrations are available.

Active Vibration Damping (AVD)

The Active Vibration Damping (AVD) controller function increases dynamic rigidity and damps the especially critical low-frequency oscillations. At the same time, it optimizes the control behavior of the affected axis so that high-accuracy workpieces with increased surface quality can also be produced at high feed rates.

Frequency Shaping Control (FSC)

The Frequency Shaping Control (FSC) function suppresses the inducement of low-frequency oscillations through a specific feedforward control. This can be used to increase dynamic limit values (e.g. jerk), and therefore make reduced machining times possible.

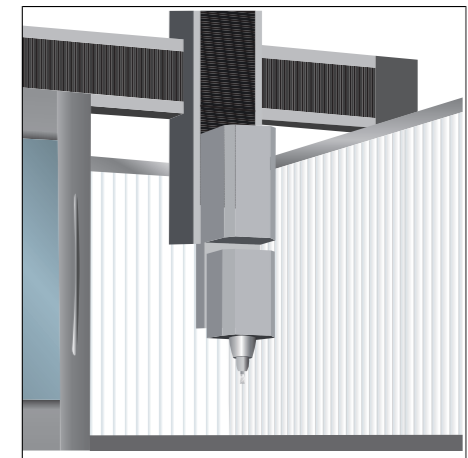
The combination of the two functions (AVD and FSC) optimizes the dynamics, surface quality, and productivity.

Position Adaptive Control (PAC, software option 142)

Position Adaptive Control (PAC, software option 142) permits the dynamic, position-dependent adaption of controller parameters based on the spatial position of the tool.

The specifics of a machine's kinematics cause a unique position of the axes' center of gravity in the working space. This results in a variable dynamic behavior of the machine, which can negatively influence the control's stability depending on the axis positions.

To take full advantage of the machine's dynamic performance, the Position Adaptive Control (PAC) software option enables changes to machine parameters based on position, thus permitting assignment of the respective optimal loop gain to defined interpolation points. Additional position-dependent filter parameters can be defined in order to further increase control loop stability.



Monitoring functions

Description

During operation the control monitors the following details, among others*):

- Amplitude of encoder signals
- Edge separation of encoder signals
- Absolute position for encoders with distance-coded reference marks
- Current position (servo lag monitoring)
- Actual path traversed (movement monitoring)
- Position deviation at standstill
- Nominal speed value
- Checksum of safety-related functions
- Supply voltage
- Voltage of the buffer battery
- Operating temperature of MC and CPU
- Run time of PLC program
- Motor current / motor temperature
- Temperature of power module
- DC-link voltage
- Difference between position and speed encoder (PosDiff)
- Serial connection of all devices in the HSCI chain
- Quality of optical connections between CC and UM
- Voltages of the main power supply
- Utilization of the 24 V supply

With EnDat 2.2 encoders:

- CRC checksum of the position value
- EnDat alarm Error1 → EnDat status alarm register (0xEE)
- EnDat alarm Error2
- Edge speed of 5 μs
- Transmission of the absolute position value on the time grid

In the event of hazardous errors, an EMERGENCY STOP message is sent to the external electronics via the control-is-ready output, and the axes are brought to a stop. The correct connection of the TNC7 in the machine's EMERGENCY STOP loop is checked when the control system is switched on. In the event of an error, the control displays a message in plain language.

Dynamic Collision Monitoring (DCM, software option 40)

With the Dynamic Collision Monitoring (DCM) software option, the TNC cyclically monitors the working space of the machine for possible collisions between machine components. To this end, the OEM must define three-dimensional collision objects in the working space that are to be monitored by the TNC during all machine movements, including those of the swivel head and tilting table. If two objects monitored for collision come within a defined distance of each other, the TNC outputs an error message. At the same time, the affected machine components are shown in red in the machine image. Collision monitoring is active in the manual operating modes and in the machine operating modes, and is indicated by a symbol in the operating mode line.

Please note:

- The collision of machine parts (e.g., the swivel head) with the workpiece cannot be detected
- Collision objects are not automatically transformed into rotationally symmetric objects in turning mode
- In servo-lag operation (no feedforward), DCM is inactive

Collision monitoring also protects fixtures and tool carriers from collisions.

The 3-D collision objects are configured with the commissioning software KinematicsDesign.

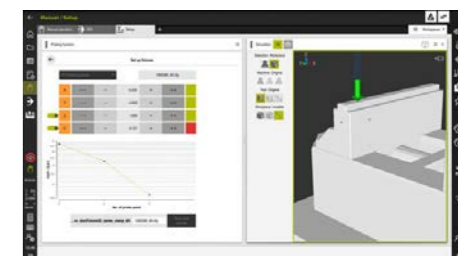
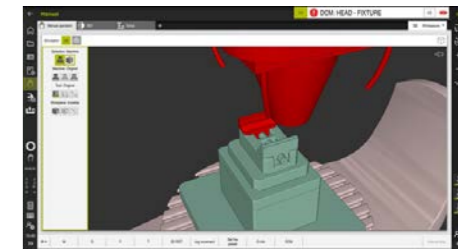
With the TNC7, collision objects can also be transferred in M3D format from standard CAD models (e.g., STL) to the control.

Advantages of the M3D format:

- Simple data transfer from already available CAD models
- Fully detailed illustration of machine components
- Greater exploitation of the machine's workspace

DCM v2 (software option 140)

Dynamic Collision Monitoring version 2 includes all functions of software option 40. This means that enabling DCM v2 (software option 140) makes all DCM functions of software option 40 available. DCM v2 enables collision monitoring of workholding equipment thanks to graphically supported alignment of the fixtures. The **Set up fixtures** function determines the position of a 3D model in the **Simulation** workspace, matching the real fixture in the machine envelope. After setting up the fixture, the TNC7 considers it in DCM.



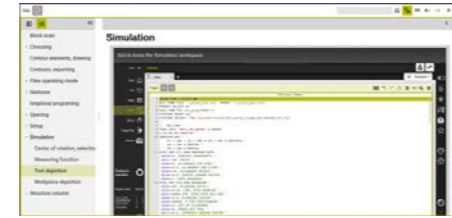
*1) No safety functions

Interactive help area

If the user requires assistance, an interactive help area is available with user documentation and tutorial videos from HEIDENHAIN on many topics regarding NC controls.

The machine manufacturer can use this modern HTML5 area to integrate his own contents.

- Modern design and appearance of the contents
- Full touch capability
- Support for videos, animations, etc.



CAD Model Optimizer (software option 152)

The CAD Model Optimizer software option gives the user the power to simplify and heal 3D models, and thus create valid STL files for collision monitoring or workpiece blanks for simulation. The user loads the output model into the CAD viewer. The 3D mesh function simplifies the model and autonomously corrects errors such as small holes in the solid-model or self-intersecting lines on a surface. The result is a valid STL file that can be used for various functions of the control.

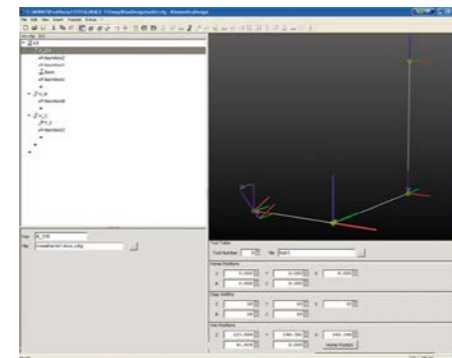
KinematicsDesign (accessory)

KinematicsDesign is a PC program for creating adaptable kinematic configurations. It supports:

- Complete kinematic configurations
- Transfer of configuration files between control and PC
- Description of tool-carrier kinematics

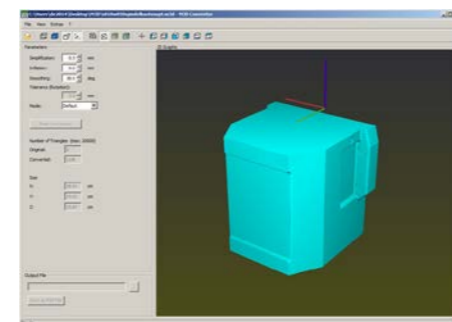
If KinematicsDesign is connected to a control online (operation is also possible with the programming station software), then machine movements can be simulated when the axes are moved. Together with the TNC7, KinematicsDesign simulates the working space when DCM is active, and collisions that occur, or machine components in danger of collision, are displayed in a color that you define.

Visualization options range from a pure depiction of the transformation chain and a wire model all the way to the complete machine model.



M3D Converter

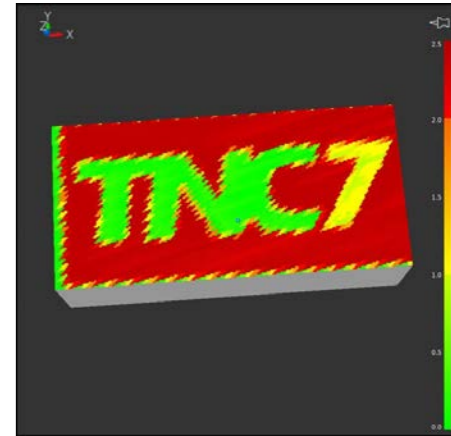
The TNC7 lets you import collision objects from a CAD file and incorporate them as M3D data into the machine kinematics. The M3D data format from HEIDENHAIN permits an especially finely detailed depiction of high-resolution collision objects. The M3D converter, which is capable of performing tasks such as checking, repairing, simplifying, merging, and optimizing CAD data for collision objects, is used to generate the M3D data. As an independent PC tool, the M3D converter is part of the KinematicsDesign installation package (as of version 3.1). The M3D converter requires a software release module (ID 1124969-01).



Component Monitoring (software option 155)

The overloading of machine components is often the cause of expensive machine damage and unplanned production downtime. Component monitoring keeps the user informed about the current load on the spindle bearings and reacts upon exceedance of the specified limit values (e.g., with an NC stop). The MONITORING HEATMAP function allows you to color, with the status of a monitoring task from within the NC program, the concurrent material removal simulation. That way the workpiece shows you where a component was subject to a strong load.

During their lifecycle, the machine components which are subject to loads (e.g., guides, ball screws, etc.) become worn and thus the quality of the axis movements deteriorates. This, in turn, affects production quality. With Component Monitoring (option 155) and a cycle, the control is able to measure the current condition of the machine. As a result, any deviations from the machine's shipping condition due to wear and aging can be measured. The machine manufacturer can read and evaluate the data, and react using predictive maintenance, thereby avoiding unplanned machine downtimes.



Process Monitoring (software option 168)

Process Monitoring can detect deviations of the current machining process from one or multiple reference machining processes, and respond to them. With the aid of monitoring tasks, the TNC7 compares the signal curve of the execution of an NC program with one or more reference machining processes. The control detects whether the signal exceeds the configured monitoring tunnel, and initiates the respectively configured reaction, such as an NC stop or disabling of the tool. This can prevent damage from resulting. If the appropriate equipment and materials are in place, then the subsequent machining job can be executed.

The control uses this process monitoring to detect disturbances in the process, e.g.:

- Tool breakage
- Incorrect or missing workpiece preparation
- Changed position or size of the workpiece blank
- Wrong material, e.g. aluminum instead of steel

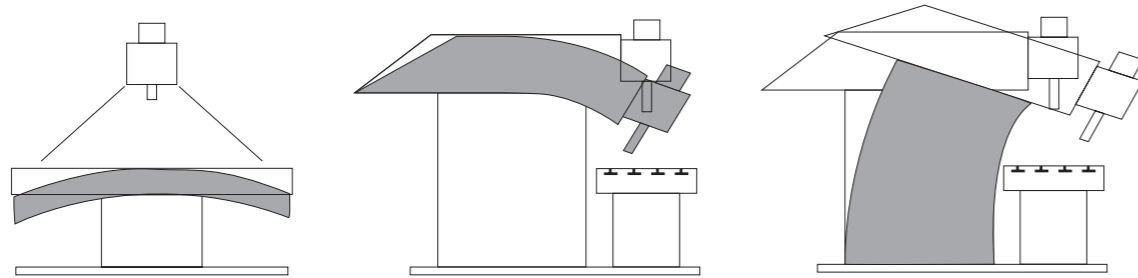


Error compensation

Overview The TNC7 automatically compensates for mechanical errors of the machine.

Linear error Linear error can be compensated over the entire travel range for each axis.

Nonlinear error The TNC7 can compensate for ball-screw pitch errors and sag errors simultaneously. The compensation values are stored in a table. Nonlinear axis-error compensation also makes it possible to compensate for position-dependent backlash.



Backlash The play between table movement and rotary encoder movement during direction changes can be compensated for in length measurements by the spindle and rotary encoder. This backlash is outside the controlled system.

Hysteresis The hysteresis between the table movement and motor movement is also compensated for in direct length measurements. In this case, the hysteresis is within the controlled system.

Reversal spikes In circular movements, reversal spikes can occur at quadrant transitions due to mechanical influences. The TNC7 can compensate for these reversal spikes.

Static friction At very low feed rates, high static friction can cause the slide to stop and start repeatedly for short periods. This is commonly known as stick-slip. The TNC7 can compensate for this problematic behavior.

Sliding friction Sliding friction is compensated for by the speed controller of the TNC7.

Thermal expansion To compensate for thermal expansion, the machine's expansion behavior must be known.

The temperature is measured via thermistors connected to the analog inputs of the TNC7. The PLC evaluates the temperature information and passes a compensation value to the NC.

KinematicsOpt (software option 48)

Using the KinematicsOpt function, machine manufacturers or users can check the accuracy of rotary or swivel axes, and compensate for possible displacements of the center of rotation of these axes. The deviations are automatically transferred to the kinematics description and can be taken into account in the kinematics calculation.

In order to measure the rotary axes, you must attach a calibration sphere (e.g. KKH 100 or KKH 250 from HEIDENHAIN) at any position on the machine table. A HEIDENHAIN touch probe uses a special cycle to probe this calibration sphere, and measures the rotary axes of the machine fully automatically. But first you define the resolution of the measurement and define for each rotary axis the range that you want to measure. The measuring process is the same, regardless of whether the rotary axis is a rotary table, tilting table, or a swivel head.

Calibration sphere (accessory)

HEIDENHAIN offers calibration spheres as accessories for the measurement of rotary axes with KinematicsOpt:

KKH 80	Height: 80 mm	ID 655475-03
KKH 250	Height: 250 mm	ID 655475-01

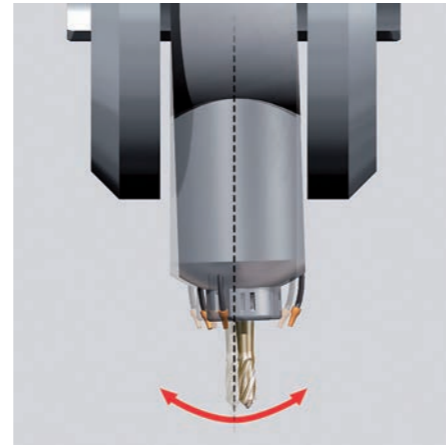


**KinematicsComp
(software
option 52)**

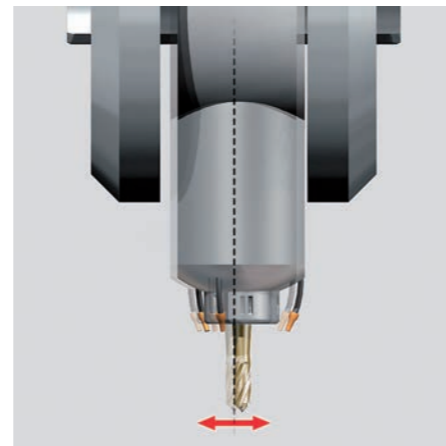
Increasingly stringent requirements on workpiece tolerances constantly increase the demands placed on the precision of a machine tool. However, components of machine tools inevitably show imperfections that are, for example, caused by manufacturing or assembly or result from elastic deformation. This is the reason why the commanded tool position and orientation are not always reached exactly everywhere in the working space. The more axes a machine has, the more sources of error there are. The use of mechanical means to cope with these problems requires considerable effort, particularly in the field of 5-axis machining, or when large machines with parallel axes are involved.

The KinematicsComp software option allows the machine manufacturer to save a comprehensive description of the machine errors in the control. KinematicsComp then automatically compensates for the position error that results from static errors of the physical machine axes (volumetric compensation). The positions of all rotary and linear axes, as well as the current tool length, are included in the calculation. KinematicsComp can continue to be used to define position-dependent temperature compensation. The required data are supplied by multiple sensors located at representative positions on the machine.

For example, the spatial errors of the tool tip can be measured with a laser tracer or laser interferometer. However, multidimensional tables for component errors make it possible to use measured data directly for compensation without building a model. PLC variables as initial values for formulas and multidimensional tables make it easy to enter parameters for powerful compensation, for example, for various thermal conditions or load situations.



Fault characteristics according to ISO 230-1: EBA



Fault characteristics according to ISO 230-1: EXA

**3D-ToolComp
(software
option 92)**

The 3D-ToolComp software option provides 3D tool radius compensation irrespective of the tool's angle of contact, thus allowing for the compensation of tool form errors. A compensation-value table is used to define angle-dependent delta values. These delta values define the deviation of a tool from its ideal circular form or the deviation in a touch probe's switching behavior. For use with a tool, this function requires surface normal vectors in the NC program, for which the Advanced Function Set 2 software option must be enabled. During probing with a touch probe, these compensation values are taken into account only in appropriately prepared new probing cycles (e.g., Cycle 444).

Initial setup and diagnostic aids

Overview

The TNC7 provides comprehensive internal aids for diagnostics and initial setup. It also includes highly effective PC software for diagnostics, optimization, and remote control.

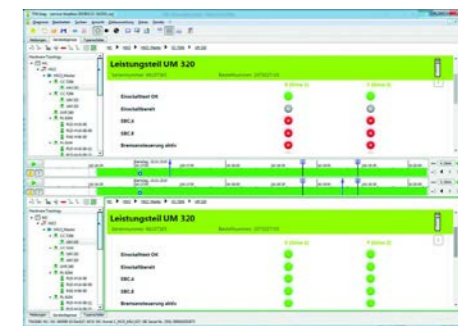
**ConfigDesign
(accessory)**

- PC software for configuring the machine parameters
- Stand-alone machine-parameter editor for the control; all support information, additional data, and input limits are shown for the parameters
 - Configuration of machine parameters
 - Comparison of parameters from different controls
 - Importing of service files: easy testing of machine parameters in the field
 - Rule-based creation and management of machine configurations for multiple controls (together with PLCdesign)

TNCdiag

- The HEIDENHAIN TNCdiag application evaluates the status and diagnostic information of HEIDENHAIN components (with an emphasis on the drive systems) and graphically images the data:
- Status and diagnostic information about the HEIDENHAIN components (drive electronics, encoders, input/output devices, etc.) connected to the control
 - History of the recorded data

TNCdiag comes in a PC version for the analysis of servicing files and in a control version for the display of live data.



Oscilloscope

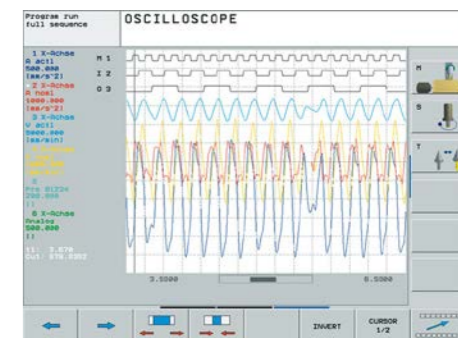
The TNC7 features an integrated oscilloscope. Both X/t and X/Y graphs are possible. The following characteristic curves can be recorded and stored in six channels:

- Actual value and nominal value of the axis feed rate
- Contouring feed rate
- Nominal and actual position
- Servo lag of the position controller
- Nominal and actual values for speed, acceleration and jerk
- Content of PLC operands
- Encoder signal (0° – A) and (90° – B)
- Difference between position and speed encoder
- Nominal velocity value
- Integral-action component of the nominal current value
- Torque-determining nominal current value

Logic signals

Simultaneous graphic representation of the logic states of up to 16 operands (markers, words, inputs, outputs, counters, timers)

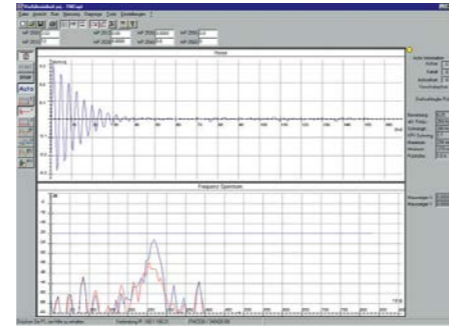
- Marker (M)
- Input (I)
- Output (O)
- Timer (T)
- Counter (C)
- IpoLogik (X)



**TNCopt
(accessory)**

PC software for initial setup of digital control loops.
Functions (among others):

- (Automatic) initial setup of the control loops (current, speed, position)
- (Automatic) optimization of various feedforward controls
 - Reversal peaks
 - Friction parameters, acceleration feedforward control
 - Torsion compensation
- (Automatic) system identification
- Circular form test, contour test
- Working space scan, 3D workspace inspector



**Online Monitor
(OLM)**

The online monitor is a component of the TNC7 and is called with a code number. It supports initial setup and diagnosis of control components through the following:

- Display of control-internal variables for axes and channels
- Display of controller-internal variables (if a CC is present)
- Display of hardware signal states
- Various trace functions
- Activation of spindle commands
- Enabling of control-internal debug outputs

**TNCscope
(accessory)**

PC software for transferring the oscilloscope files to a PC. With TNCscope you can record and save up to 32 channels simultaneously.

Note: The trace files are saved in the TNCscope data format.

API DATA

With the API DATA function, the control displays the states or contents of the symbolic API markers and API double words.

Table function

The current conditions of the markers, words, inputs, outputs, counters, and timers are displayed in tables. The conditions can be changed through the keyboard.

Trace function

The current content of the operands and the accumulators is shown in the statement list in each line in hexadecimal or decimal code. The active lines of the statement list are marked.

Log

For the purpose of error diagnostics, all error messages and keystrokes are recorded in a log. The entries can be read using the **PLCdesign** or **TNCremo** software for PCs.

**RemoteAccess
(accessory)**

PC software for remote diagnostics, monitoring and operation.

RemoteAccess grants quick and easy access to HEIDENHAIN controls that are installed within the same local network (intranet).

RemoteAccess offers the following functions:

- Display of the control's user interface on the PC
- Operating the control directly through the live view as well as with the integrated keyboard
- HEIDENHAIN PC tools are integrated automatically
- Can be enhanced with OEM-specific applications

Single station license	ID 1339577-01
Network license (14 stations)	ID 1339577-02
Network license (20 stations)	ID 1339577-03

Enhancement: Secure Remote Access (SRA)

The Secure Remote Access enhancement permits setting up an encrypted remote connection to a HEIDENHAIN control via the Internet. Once the SRA connection has been set up, RemoteAccess behaves like a local network connection.

Possible applications when using SRA:

- User support
- Online seminars
- Diagnostics and service
- Other OEM services

Secure Remote Access enhancement	ID 1356741-01
---	---------------

Bus diagnosis

In Diagnosis mode, the structure of the connected bus systems as well as the details of the connected components can be shown in an intuitive manner.

TNCtest

Acceptance tests on machine tools with external or integrated functional safety (FS) must be conducted reproducibly and verifiably.

The TNCtest and TestDesign program package can be used to plan and perform acceptance tests for machine tools with HEIDENHAIN controls. The acceptance tests are planned with TestDesign and run with TNCtest.

The TNCtest programs are designed to provide support during acceptance testing, provide required information, and perform automatic configurations, as well as record data and evaluate the data semiautomatically. A tester must evaluate manually whether a test case passed or failed.

TNCAnalyzer

The TNCAnalyzer application from HEIDENHAIN provides for simple and intuitive evaluation of servicing and log files:

- Loading of servicing and log files
- Analysis of temporal sequences and static states
- Filters and search functions
- Data export (HELogger, CSV, and JSON formats)
- Definition of application-specific analysis profiles
- Preconfigured analysis profiles
- Graphic display of signals via TNCscope
- Interaction with other tools that are intended for the display of special sections of the service file



Integrated PLC

Overview

The PLC program is created by the machine manufacturer either at the control or with the PLC development software **PLCdesign** (accessory). Machine-specific functions are activated and monitored via the PLC inputs/outputs. The number of PLC inputs/outputs required depends on the complexity of the machine.

PLC inputs/outputs

PLC I/Os are available via the external PL 6000 and UxC. The PLC I/Os and the PROFINET IO or PROFIBUS DP-capable I/O system must be configured with the IOconfig PC software.

PLC programming

Format	Statement list
Memory	4 GB
Cycle time	9 ms to 30 ms (adjustable)
Command set	<ul style="list-style-type: none"> • Bit, byte, and word commands • Logical operations • Arithmetic commands • Comparisons • Bracketed terms • Jump commands • Subprograms • Stack operations • Submit programs • Timers • Counters • Comments • PLC modules • Strings

Encryption of PLC data

The encrypted PLC partition (PLCE:) provides the machine manufacturer with a tool for preventing third parties from viewing or changing files. The files on the PLCE partition can be read only by the control itself or by using the correct OEM keyword. This ensures that proprietary know-how and special customer-specific solutions cannot be copied or changed.

The machine manufacturer can also determine the size of the encrypted partition. This is not determined until the machine manufacturer creates the PLCE partition. Another advantage is that, in spite of the encryption, the data can be backed up from the control to a separate data medium (USB drive or network, e.g., through TNCremo) and later restored. You need not enter the password, but the data cannot be read until the keyword is supplied.

PLC window

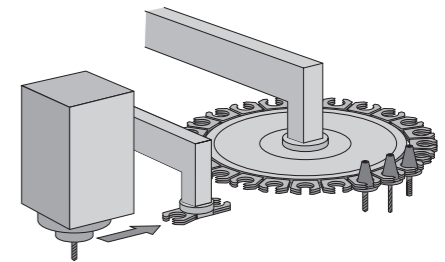
The TNC7 can display PLC error messages in the dialog line during operation.

PLC soft keys

The machine manufacturer can display his own PLC soft keys in the vertical soft-key row on the screen.

PLC positioning

All closed-loop axes can also be positioned via the PLC. PLC positioning of the NC axes cannot be superimposed on NC positioning.



PLC axes

Axes can be defined as PLC axes. They are programmed by means of M functions or OEM cycles. The PLC axes are positioned independently of the NC axes.

PLCdesign (accessory)

PC software for PLC program development. The PC program **PLCdesign** can be used for easy creation of PLC programs. Extensive examples of PLC programs are included.

Functions:

- User-friendly text editor
- Menu-guided operation
- Programming of symbolic operands
- Modular programming techniques
- "Compiling" and "linking" of PLC source files
- Operand commenting, creation of the documentation file
- Comprehensive help system
- Data transfer between the PC and control
- Creation of PLC soft keys

Python OEM Process (software option 46)

The Python OEM Process software option gives the machine manufacturer a powerful tool for using a high-level, object-oriented programming language in the control (PLC). Python is an easy-to-learn script language supporting all necessary high-level language elements.

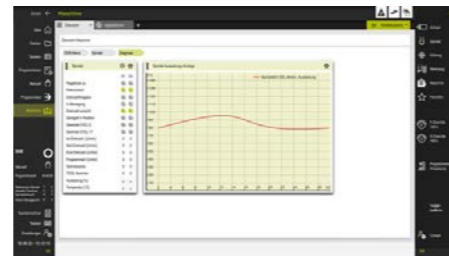
Simple Python scripts can also be executed without enabling Python OEM Process (software option 46). Reserved for this function are 10 MB of dedicated memory. For more information, refer to the *Python in HEIDENHAIN Controls* Technical Manual.

The TNC7 provides machine manufacturers with entirely new ways of designing intuitive, task-oriented, customized user interfaces and integrating them seamlessly into the layout of the control. Besides comprehensive embedding options, Python 3, and the Qt graphics library, a package of functions developed separately by HEIDENHAIN, called "HEIDENHAIN Controls", is also available.

HEIDENHAIN Controls can be used to easily adapt the user interface to the machine manufacturer's wishes.

HEIDENHAIN Controls provides the following benefits:

- Graphical elements in the new HEIDENHAIN design
- Automatic design update after an NC software update
- Advanced touch operation with context-sensitive touch keyboards
- Minimized development effort in switching from GTK to Qt
- Standardized fonts and colors



Embedded Workspace

The TNC7 offers the possibility of seamlessly embedding remote desktops or applications as a workspace or separate operating mode directly in the user interface of the TNC7. The workspaces support responsive design and are therefore able to display the content in an optimized way in the display areas selected by the user. Enabling of software option 133 (Remote Desktop Manager) is required for this.

Embedding options:

- Remote Desktop: Displays a remote Windows desktop via RDP
- RemoteX: Displays an X window of a remote Linux application.

The TNC7 enables the output of NC and OEM dialogs on an external HEIDENHAIN ITC.

Application examples:

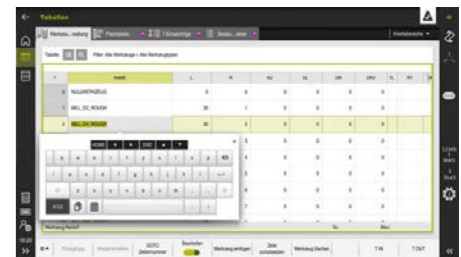
- Tool management
- Pallet management
- OEM operating mode for further automation tasks



Remote Desktop (RDP)



RemoteX



PLC basic program

The PLC basic program serves as a basis for adapting the control to the requirements of the respective machine. It can be downloaded from the Internet. These essential functions are covered by the PLC basic program:

Axes

- Control of analog axes
- Axes with clamping mode, central drive, and the Hirth grid
- Synchronized axes
- Reference run, reference end position
- Axis lubrication

Spindles

- Control and orientation of the spindles
- Spindle clamping
- Alternative double-spindle operation
- Parallel spindle operation
- Conventional 2-stage gear system
- Wye/delta connection switchover (static, dynamic)

Tool changers

- Manual tool changer
- Tool changer with pick-up system
- Tool changer with dual gripper
- Tool changer with positively driven gripper
- Rotating tool magazine with closed-loop axis
- Rotating tool magazine with controlled axis
- Servicing functions for the tool changer
- Python tool management

Pallet changers

- Translational pallet changer
- Rotatory pallet changer
- Servicing functions for the pallet changer

Safety functions

- Emergency stop test (EN 13849-1)
- Brake test (EN 13849-1)
- Repeated switch-on test for a wireless handwheel

General functions

- Feed rate control
- Control of the coolant system (internal, external, air)
- Toggling between milling and turning modes
- Temperature compensation
- Activate tool-specific torque monitoring
- Hydraulic control
- Chip conveyor
- Indexing fixture
- Touch probes
- PLC support for handwheels
- Control of doors
- Handling of M functions
- PLC log
- Display and management of PLC error messages
- Diagnosis screen (Python)
- Python example applications

Interfacing to the machine

OEM cycles

The machine manufacturer can create and store his own cycles for recurring machining tasks. These OEM cycles are used in the same way as standard HEIDENHAIN cycles.

CycleDesign (accessory)

The soft-key structure for the cycles is managed using the **CycleDesign** PC program. In addition, CycleDesign can be used to store help graphics and soft keys in BMP format in the TNC. Graphic files can be compressed to ZIP format to reduce the amount of memory used.

Tool Management

With integral PLC, the tool changer is moved either via proximity switch or as a controlled axis. Complete tool management with tool life monitoring and replacement tool monitoring is carried out by the TNC7.

Tool Measurement

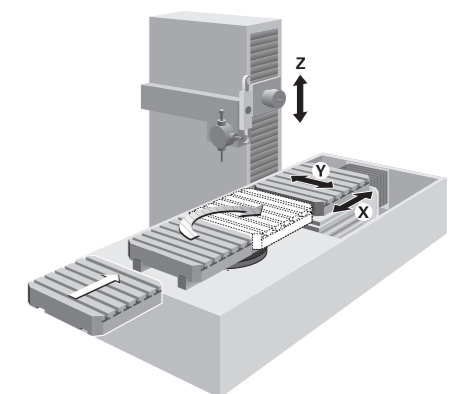
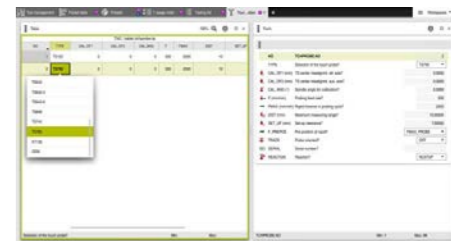
With the TT tool touch probe systems (accessory), tools can be measured and inspected. Standard cycles for automatic tool measurement are available in the control. The control calculates the probing feed rate and the optimal spindle speed. The measured data are stored in a tool table.

Touch-Probe Configuration

All touch-probe data can be configured conveniently through the touch-probe table. All HEIDENHAIN touch probe systems are preconfigured and can be selected through a drop-down menu.

Pallet Management

Pallet insertions can be controlled via PLC axes. The user defines the pallet sequence, pallet presets, and workpiece presets in the pallet tables. The pallet tables are freely configurable; any information can be stored in the tables and called via the PLC. Pallet table execution can be workpiece- or tool-oriented.



Data transfer and communication

Data interfaces

Overview	The TNC7 is connected to PCs, networks, and other data storage devices via data interfaces.	
Ethernet	The TNC7 can be interconnected via the Ethernet interface. For connection to a data network, the control features a 1000BASE-T (twisted pair Ethernet) connection.	
	Maximum transmission distance: Unshielded: 100 m Shielded: 400 m	
Protocol	The TNC7 communicates using the TCP/IP protocol.	
Network connection	<ul style="list-style-type: none"> • NFS file server • Windows networks (SMB) 	
Data transfer speed	Approx. 400 to 800 Mbit/s (depending on the file type and network utilization)	
Protocols	The TNC7 can transfer data using various protocols.	
Standard data transfer	The data is transferred character by character. The number of data bits, stop bits, the handshake, and character parity must be set by the user.	
Blockwise data transfer	The data is transferred blockwise. A block check character (BCC) is used for data backup. This method improves data security.	
LSV2	Bidirectional transfer of commands and data as per DIN 66019. The data is divided into telegrams (blocks) and transmitted.	
USB	The TNC7 features USB ports for connecting standard USB devices such as a mouse, disk drive, etc. The MCs have four USB 3.0 ports. One of them leads to the TE, where a cover cap protects it from contamination. More USB 2.0 ports are in the integrated USB hub on the rear of the BF. The USB ports are rated for a maximum of 0.5 A.	
USB cables	Cable length up to 5 m	ID 354770-xx
	Cable length 6 m to 30 m with integrated amplifier; limited to USB 1.1.	ID 624775-xx

Software for data transfer We recommend using HEIDENHAIN software to transfer files between the TNC7 and a PC.

TNCremo (accessory) This PC software package supports the user in transferring data from the PC to the control. This software implements blockwise data transfer with block check characters (BCC).

Functions:

- Data transfer (including blockwise)
- Remote control (only serial)
- File management and data backup of the control
- Reading out the log
- Print-out of screen contents
- Text editor
- Managing more than one machine

TNCremoPlus (accessory) In addition to the features already familiar from TNCremo, TNCremoPlus can also transfer the current content of the control's screen to the PC (live screen). This makes it very simple to monitor the machine.

Additional functions:

- Interrogation of control information (NC up time, machine up time, machine running time, spindle running time, pending errors, data from the data servers—e.g., symbolic PLC operands)
- Overwriting of specific tool data based on values from a tool presetter

TNCremoPlus

ID 340447-xx

Connected Machining

Overview

Connected Machining makes uniformly digital job management possible in networked manufacturing. You also profit from:

- Easy data usage
- Time-saving procedures
- Transparent processes

Remote Desktop Manager (software option 133)

Remote control and display of external computers over an Ethernet connection (e.g., Windows PC). The information is displayed on the control's screen. Remote Desktop Manager allows you to access important applications, such as CAD/CAM applications or job management, from the control.

Remote Desktop Manager ID 894423-xx

HEIDENHAIN DNC (software option 18)

The development environments on Windows operating systems are particularly well suited as flexible platforms for application development in order to come to terms with the increasingly complex requirements of the machine's environment.

The flexibility of the PC software and the large selection of ready-to-use software components and standard tools in the development environment enable you to develop PC applications of great use to your customers in a very short time, for example:

- Error reporting systems that, for example, send the customer a text message to his cell phone reporting problems on the currently running machining process
- Standard or customer-specific PC software that decidedly increases process reliability and equipment availability
- Software solutions controlling the processes of manufacturing systems
- Information exchange with order management software

The HEIDENHAIN DNC software interface is an attractive communication platform for this purpose. It provides all the data and configuration capabilities needed for these processes so that an external PC application can evaluate data from the control and, if required, influence the manufacturing process.

RemoTools SDK (accessory)

To enable you to use HEIDENHAIN DNC effectively, HEIDENHAIN offers the RemoTools SDK development package. It contains the COM component and the ActiveX control for integration of the DNC functions in development environments.

RemoTools SDK ID 340442-xx

For more information, refer to the *HEIDENHAIN DNC* brochure.

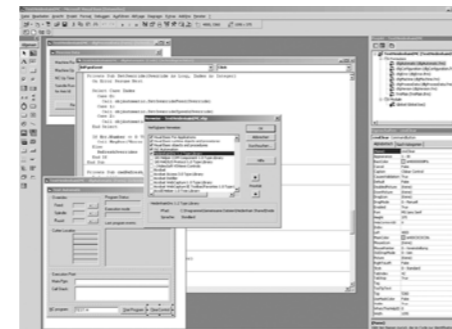
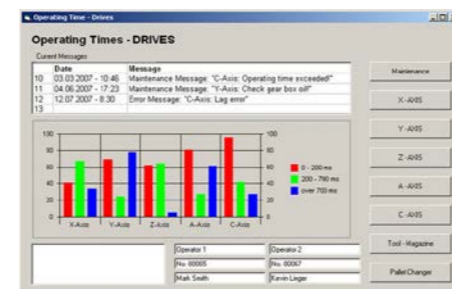
virtualTNC (accessory)

The **virtualTNC** control software is a control component for virtual machines for machine simulations, and is available via the HEIDENHAIN DNC interface.

Single station license ID 1113933-02
Network license For one workstation ID 1122145-02
 For 14 workstations ID 1113935-02
 For 20 workstations ID 1113936-02

For more information, refer to the *HEIDENHAIN DNC* brochure.

connected + machining



OPC UA NC Server (software option 56-61)

The Open Platform Communications Unified Architecture (OPC UA) standard has emerged in recent years as a well-established interface for secure and reliable data exchange in industrial environments. The new HEIDENHAIN OPC UA NC Server software option makes this forward-looking interface available on the TNC7. OPC UA features cross-operating system capability: along with the widespread Windows systems, OPC UA also allows Linux-based systems or Apple computers with macOS*, for example, to be connected to the HEIDENHAIN control.

Numerous developer toolkits are available for OPC UA. RemoTools SDK is not needed. Thanks to the standardized protocol, the freedom to choose the toolkit, and the application-oriented HEIDENHAIN information model, highly individualized applications and standard software can be developed with significantly reduced time to market.

The HEIDENHAIN OPC UA NC Server supports the following OPC UA services:

- Reading and writing variables
- Subscribing to value changes
- Executing methods
- Subscribing to events

With Sign&Encrypt, HEIDENHAIN ensures that even the standard solution provides state-of-the-art IT security:

- SecurityMode: Sign&Encrypt
- Cryptographic algorithm: Basic256Sha256 (recommended by the OPC Foundation) – X.509 Certificates
- User authentication through X.509 certificates

* Apple and macOS are trademarks of Apple Inc.

Mounting information

Clearances and mounting

Proper minimum clearance When installing the control components and power modules, take note of the minimum spacing, space needed for servicing, and the appropriate length and location of the connecting cables as detailed in the Technical Manual of the TNC7.

Mounting and electrical installation Observe the following points during mounting and electrical connection:

- National regulations for low-voltage installations at the operating site of the machine or components
- National regulations regarding interference and noise immunity at the operating site of the machine or components
- National regulations regarding electrical safety and operating conditions at the operating site of the machine or components
- Specifications for the installation position
- Specifications of the Technical Manual

Degrees of protection The following components fulfill the requirements for IP54 (dust protection and splash-proof protection):

- Display unit (when properly installed)
- Keyboard unit (when properly installed)
- Handwheel

All electric and electronic control components must be installed in an environment (e.g. electrical cabinet, housing) with an IP54 rating (dust and splash-proof protection) in order to fulfill the requirements of pollution degree 2. All components of the OEM operating panel must also have an IP54 rating, just like the HEIDENHAIN operating panel components.

Electromagnetic compatibility Protect your equipment from interference by observing the rules and recommendations specified in the Technical Manual.

Intended place of operation The units comply with EN 50370-1 and EN 61800-3, and are intended for use in industrially zoned areas.

Likely sources of interference Interference is produced by capacitive and inductive coupling into electrical conductors or into device connections, caused by e.g.:

- Strong magnetic fields from transformers or electric motors
- Relays, contactors, and solenoid valves
- High-frequency equipment, pulse equipment, and switch-mode power supplies
- Power lines and leads to the above equipment

Protective measures

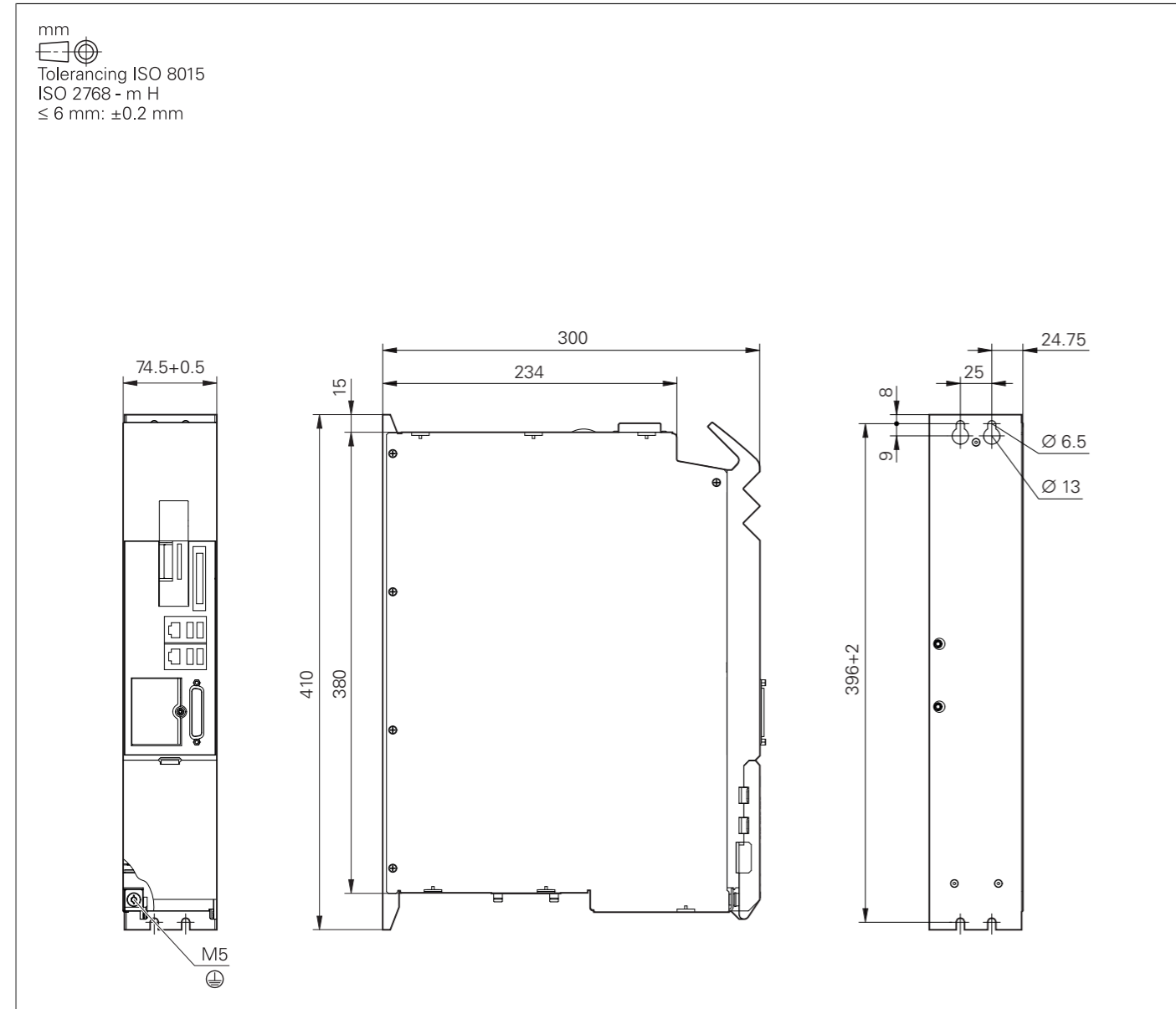
- Ensure that the MC, CC, and signal lines are at least 20 cm away from interfering devices
- Minimum distance of 10 cm between MC, CC, and signal lines to cables carrying interfering signals (in metal cable ducts, a grounded separation wall suffices for decoupling)
- Shielding by means of closed, grounded metal enclosures (e.g. electrical cabinet)
- Use equipotential bonding lines in accordance with the grounding diagram (comply with the Technical Manual of your control).
- Use only genuine HEIDENHAIN cables and connecting elements

Installation elevation The maximum elevation for installation of HEIDENHAIN control components (MC, CC, PLB, MB, TE, BF, IPC, etc.) is 3000 m above sea level.

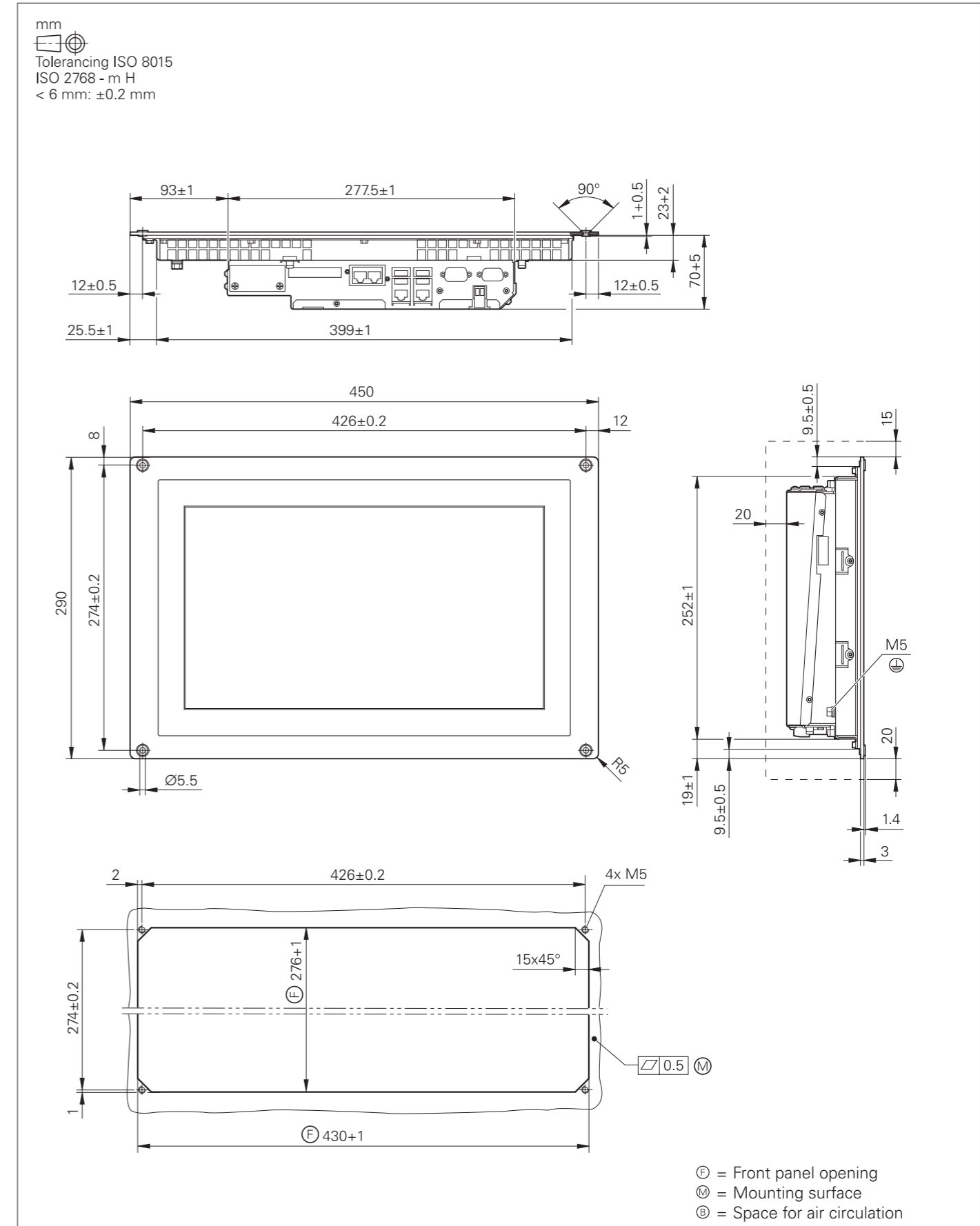
Key dimensions

Main computer

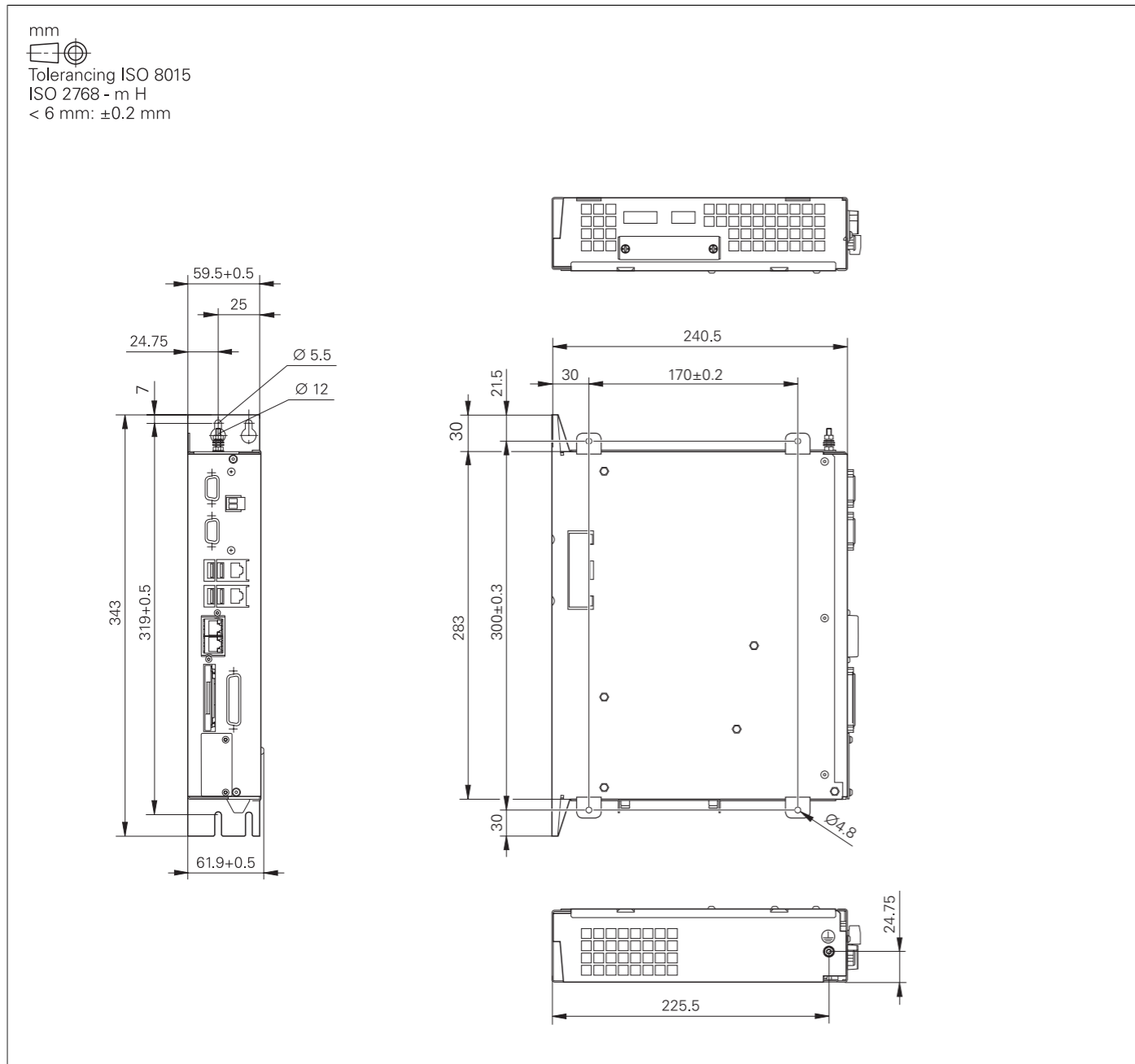
MC 306, IPC 306



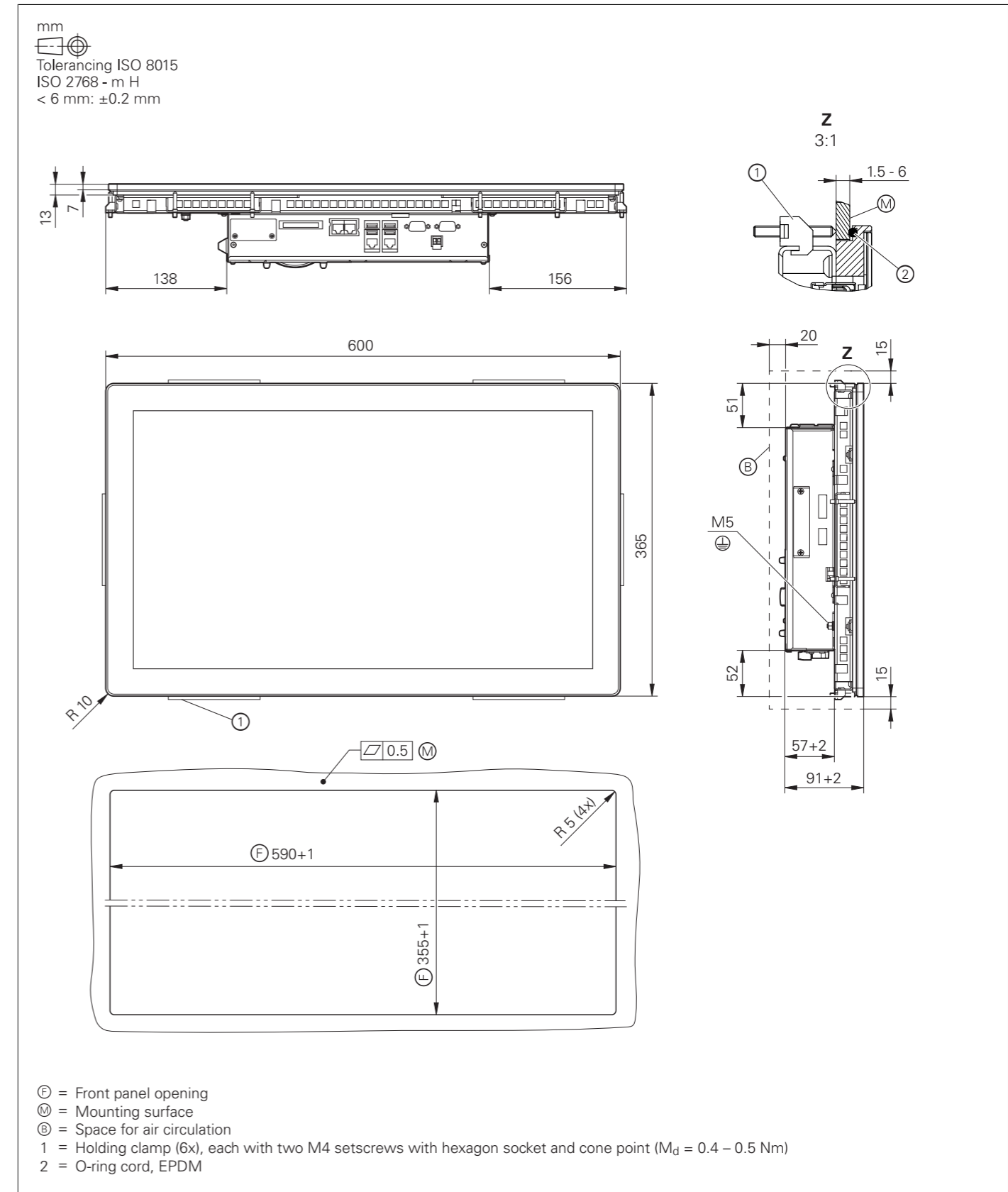
IPC 8420



IPC 6490

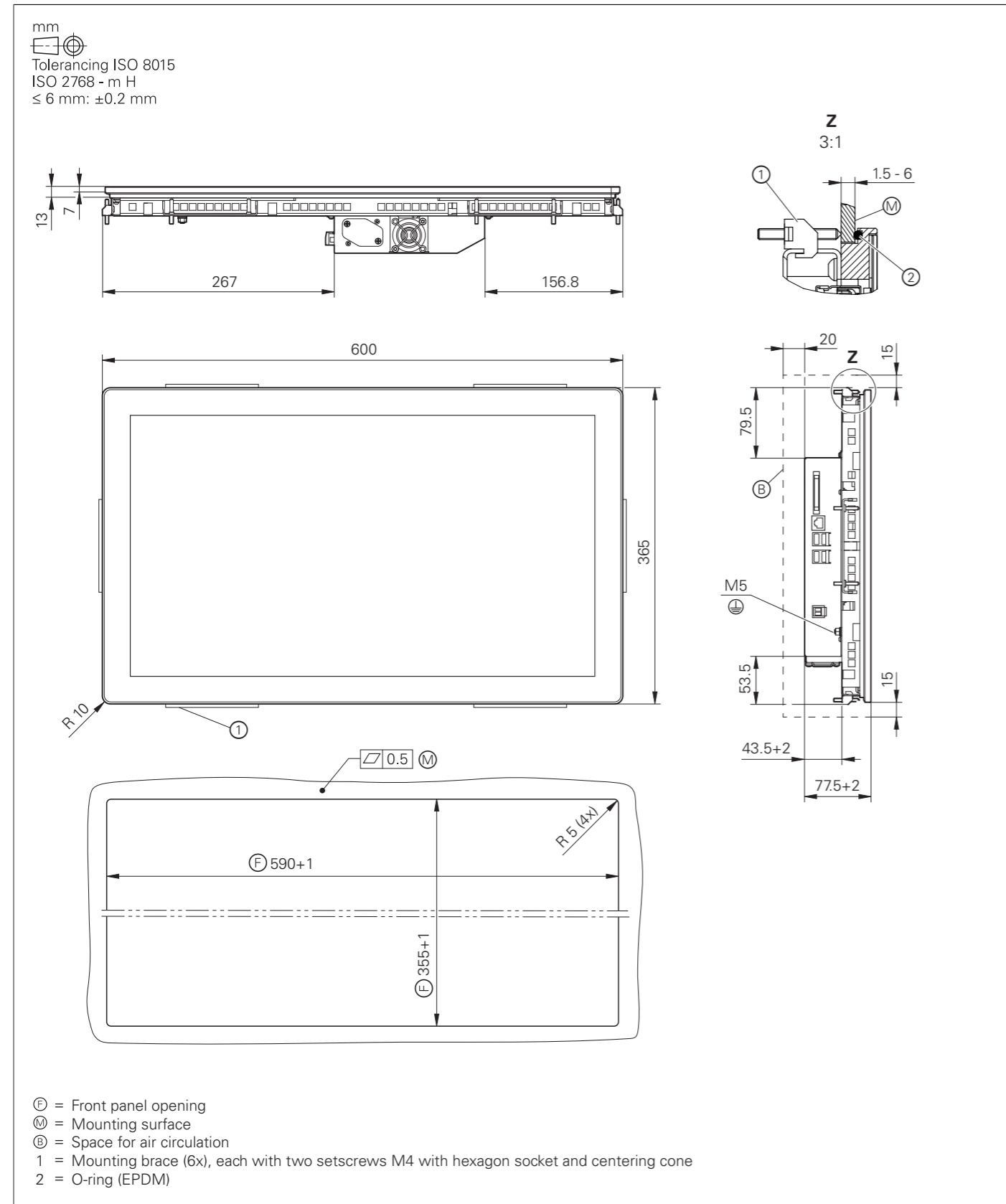


MC 366

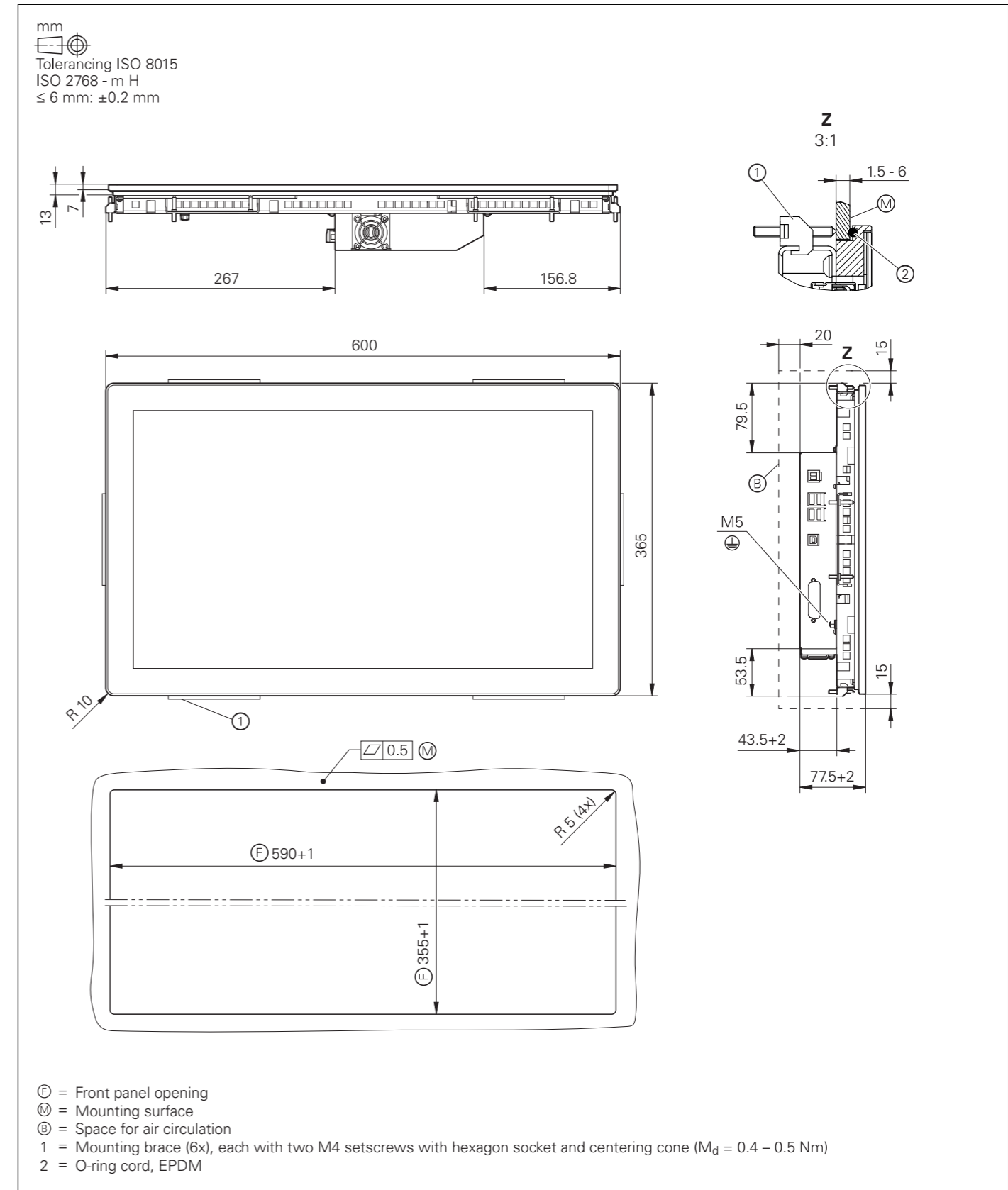


Operating panel, monitor, and keyboard

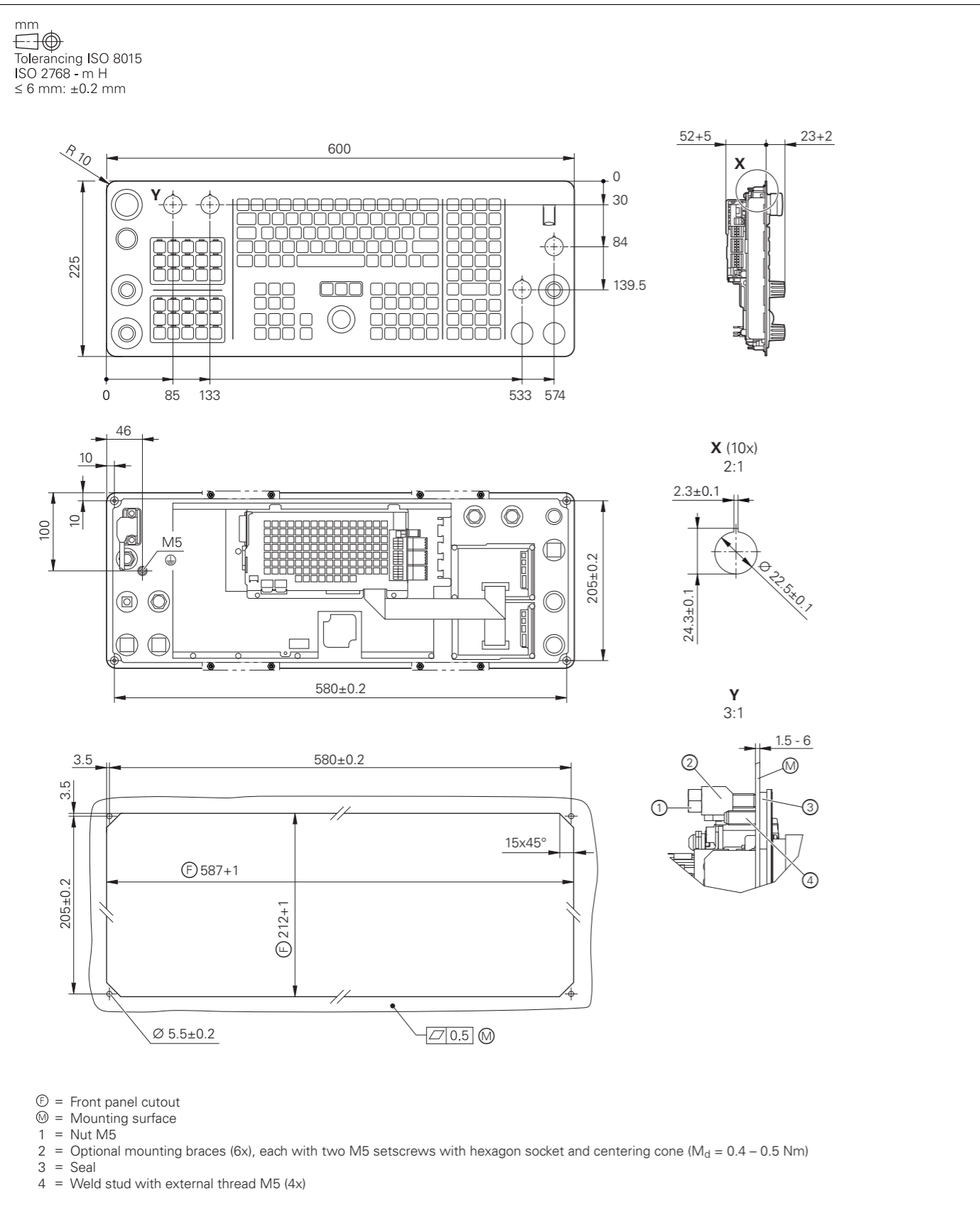
ITC 362



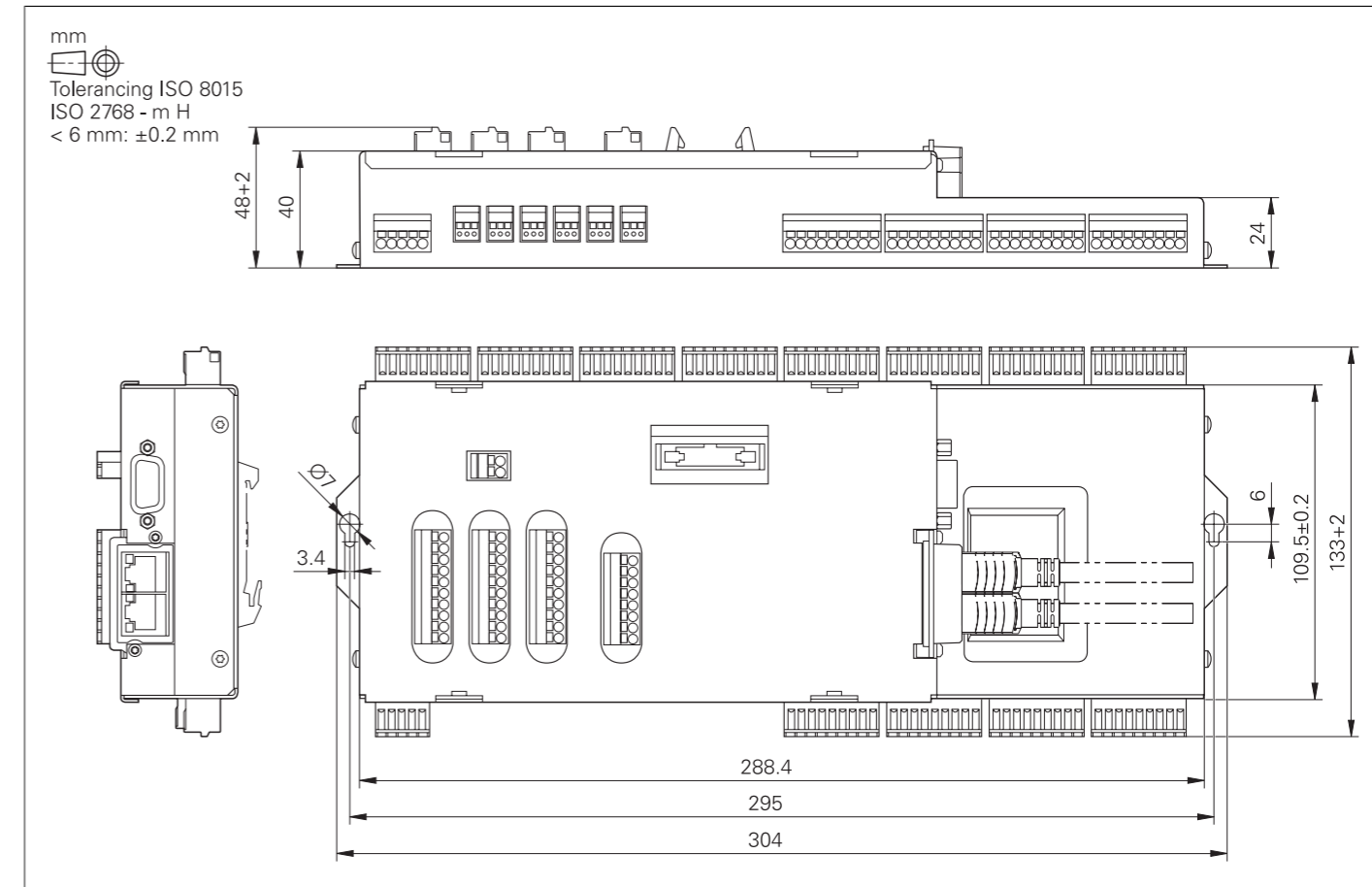
BF 360



TE 361, TE 361 FS

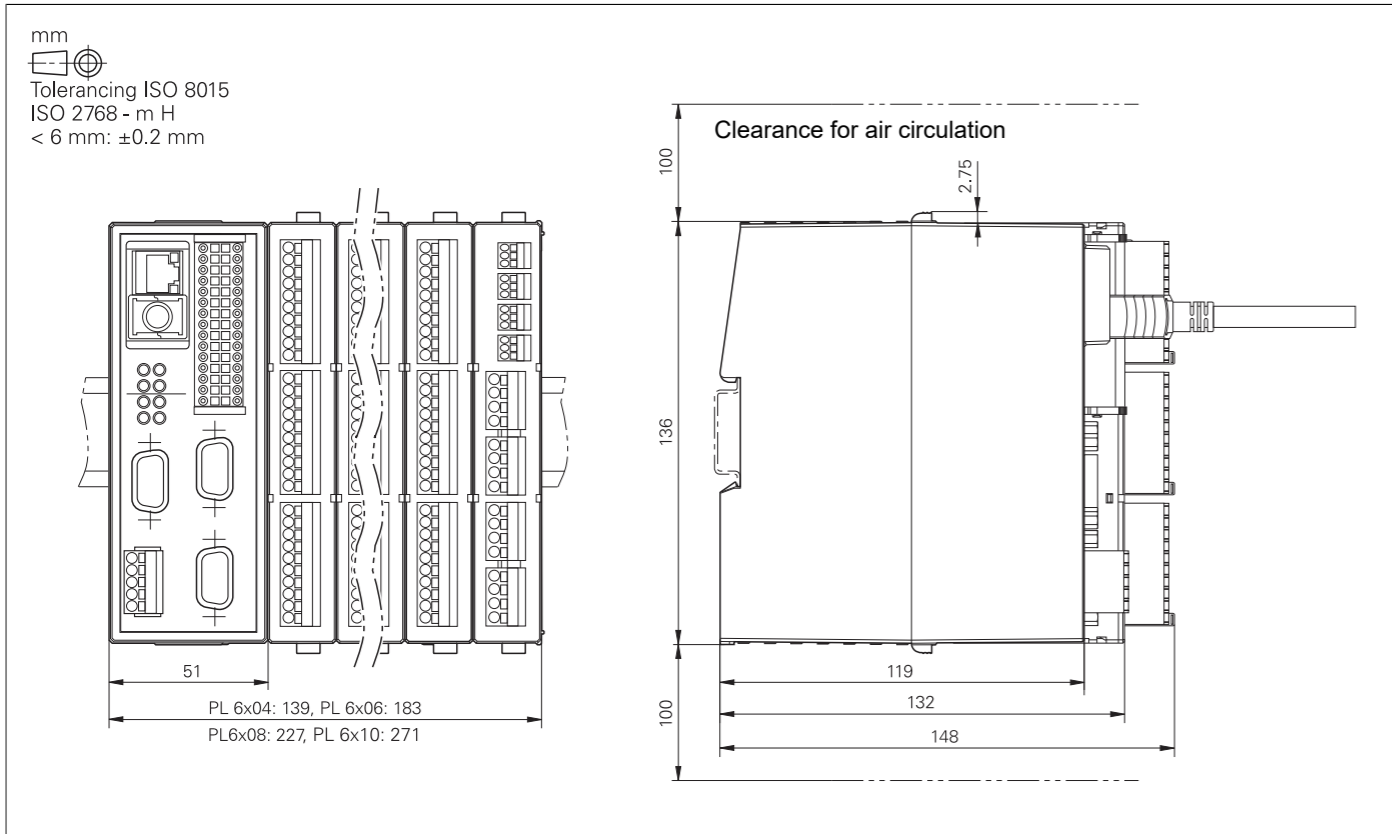


PLB 6001, PLB 600x FS



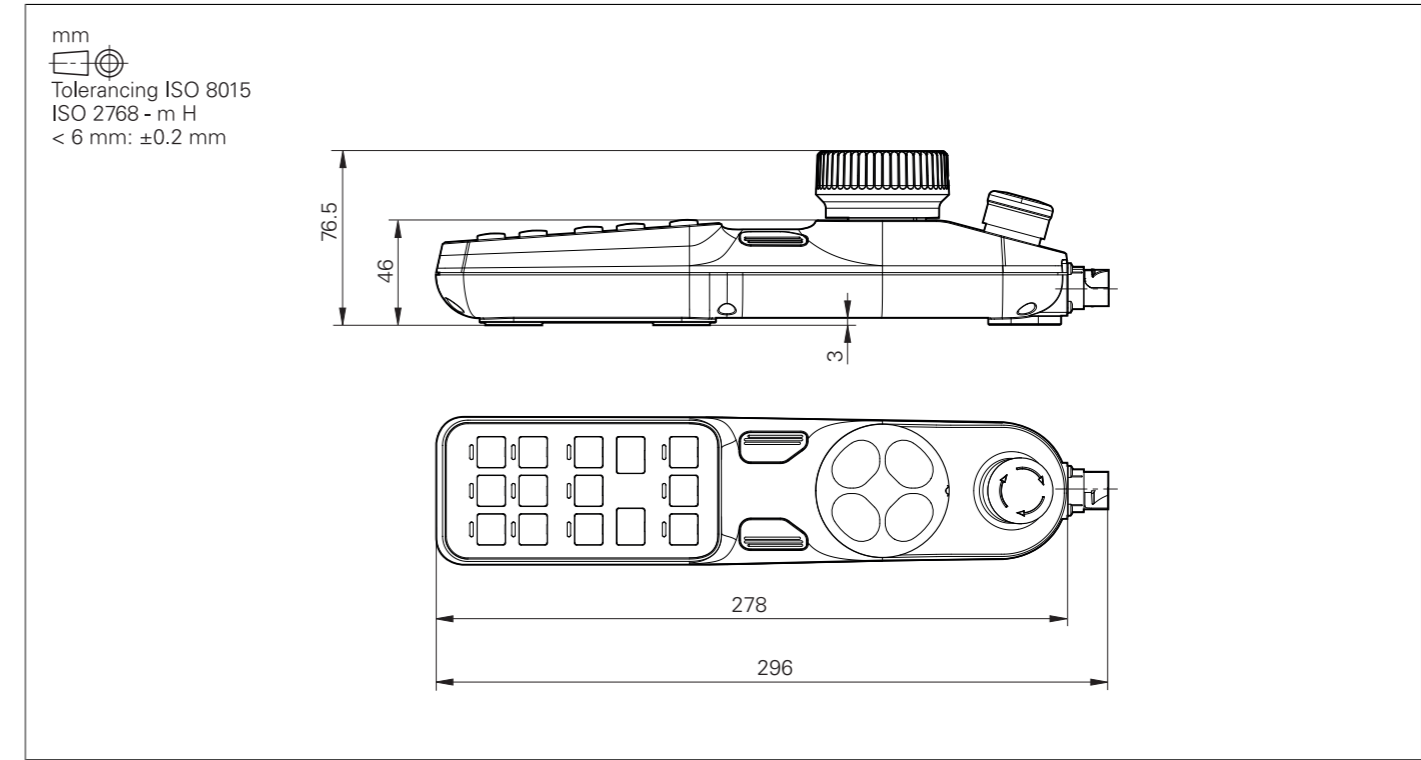
PLC inputs and outputs

PL 6000 (PLB 62xx, PLB 61xx)

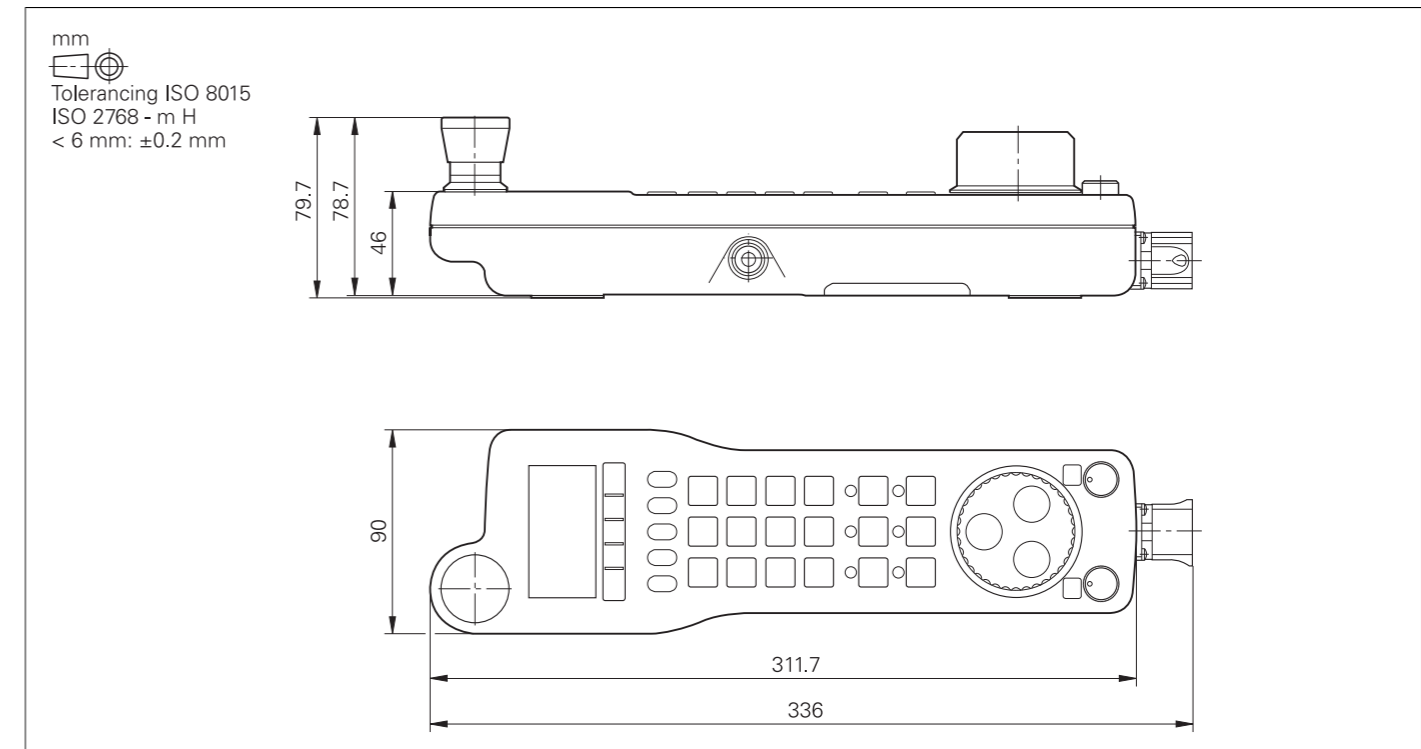


Electronic handwheels

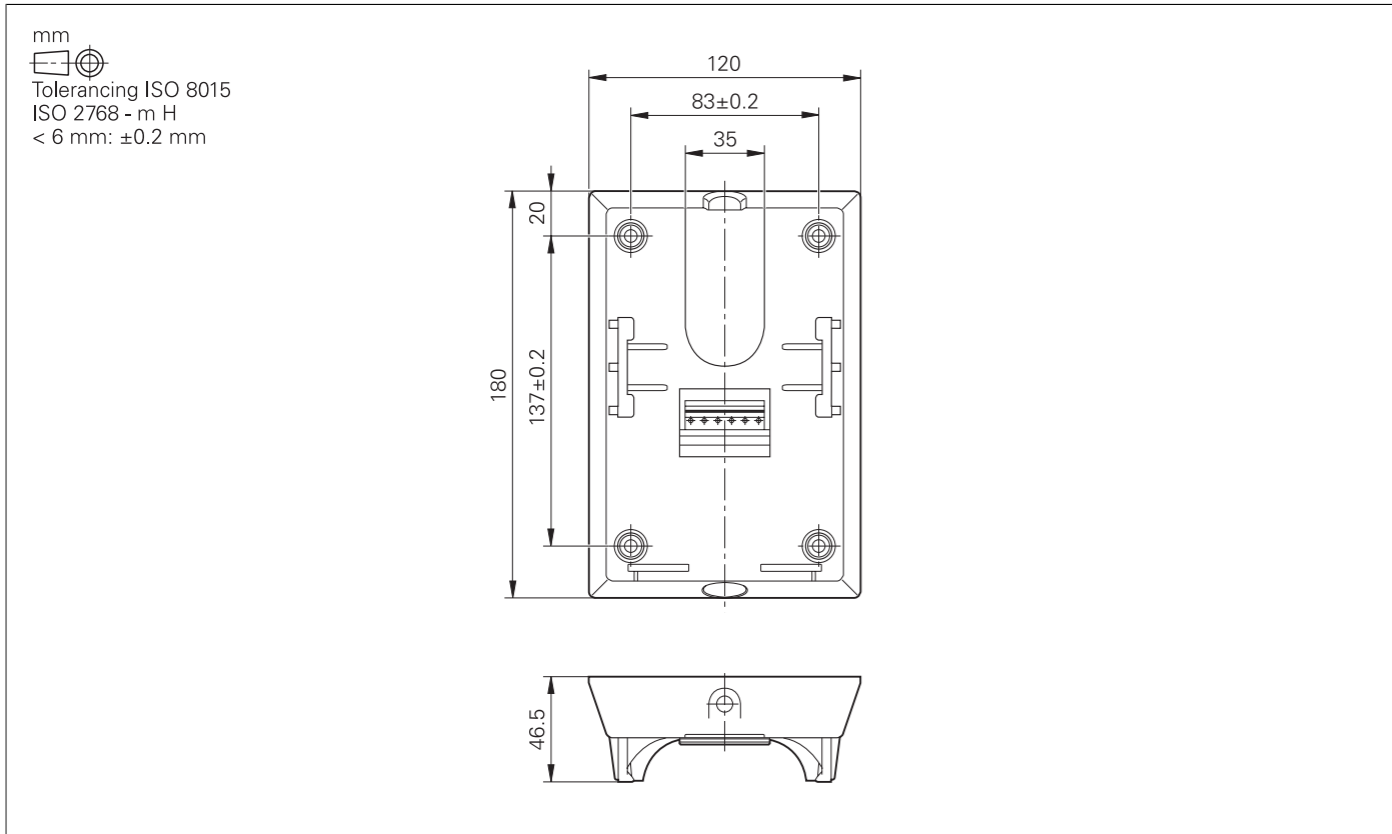
HR 510, HR 510 FS



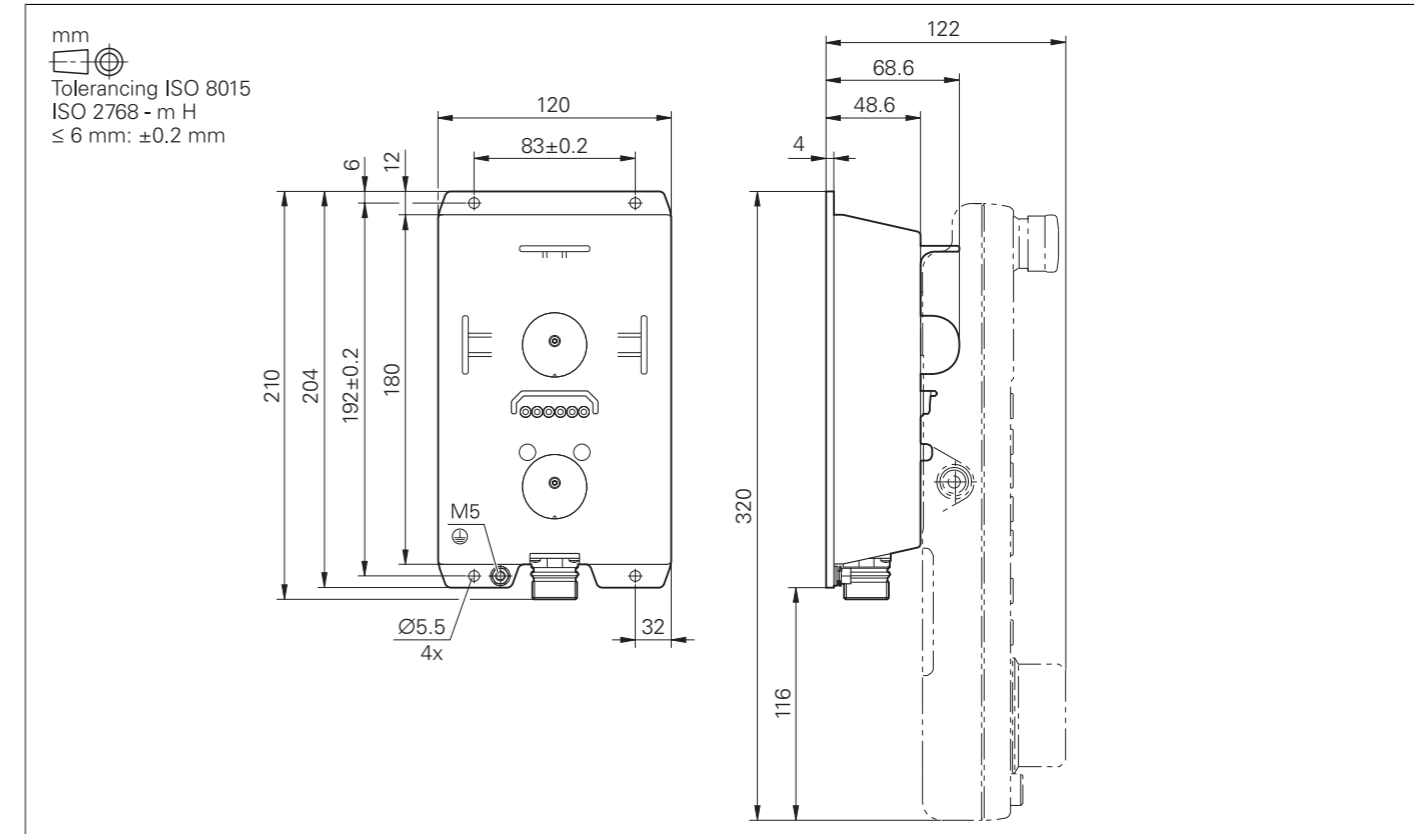
HR 520, HR 520 FS



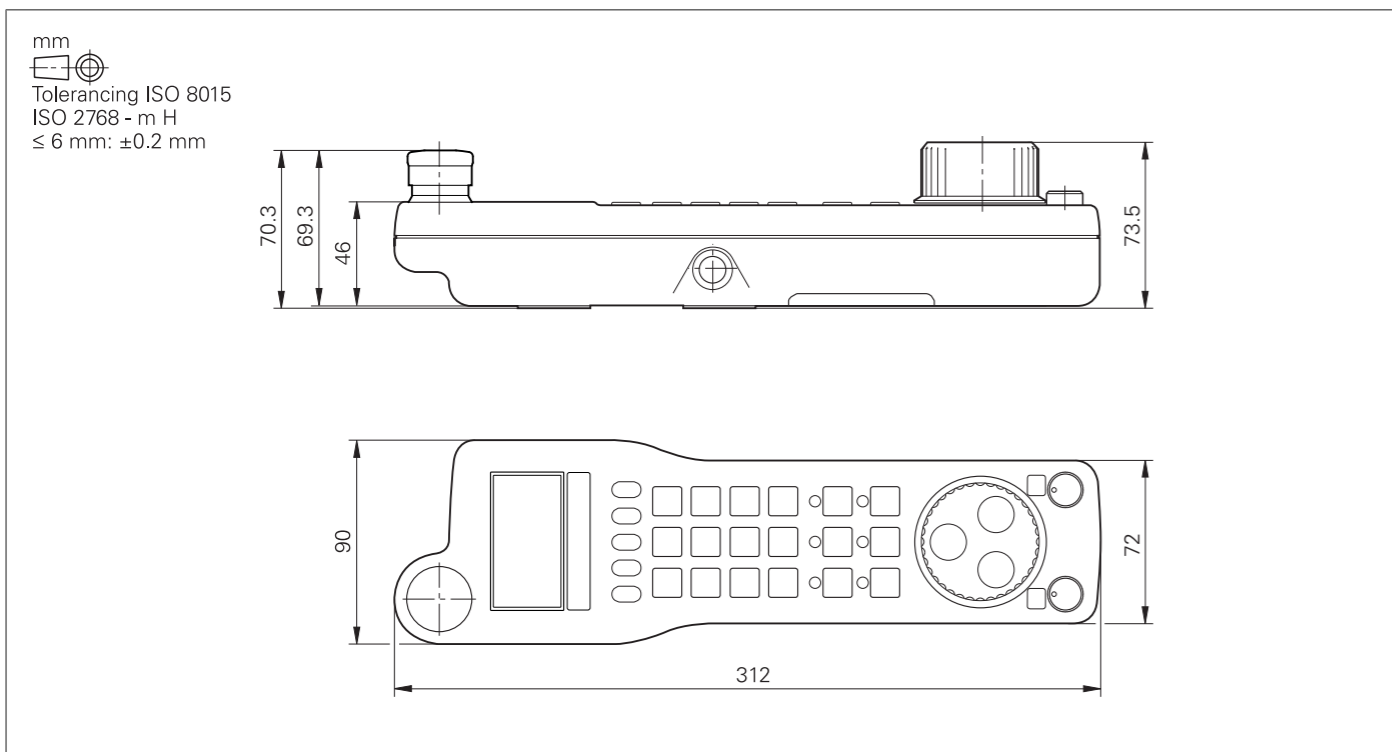
Holder for HR 520, HR 520 FS



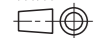
HRA 551 FS

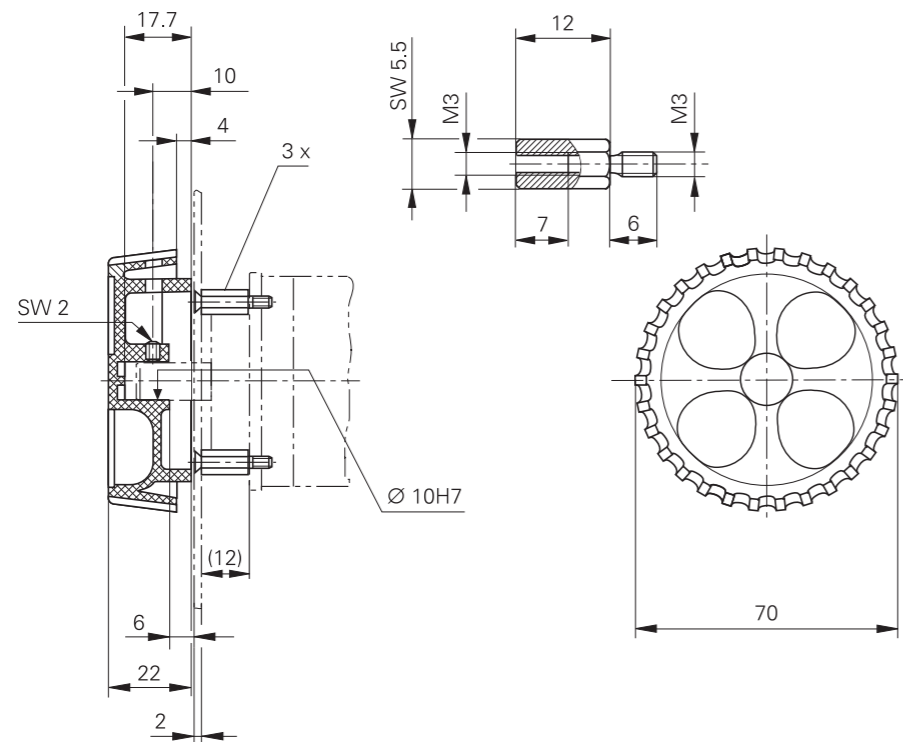
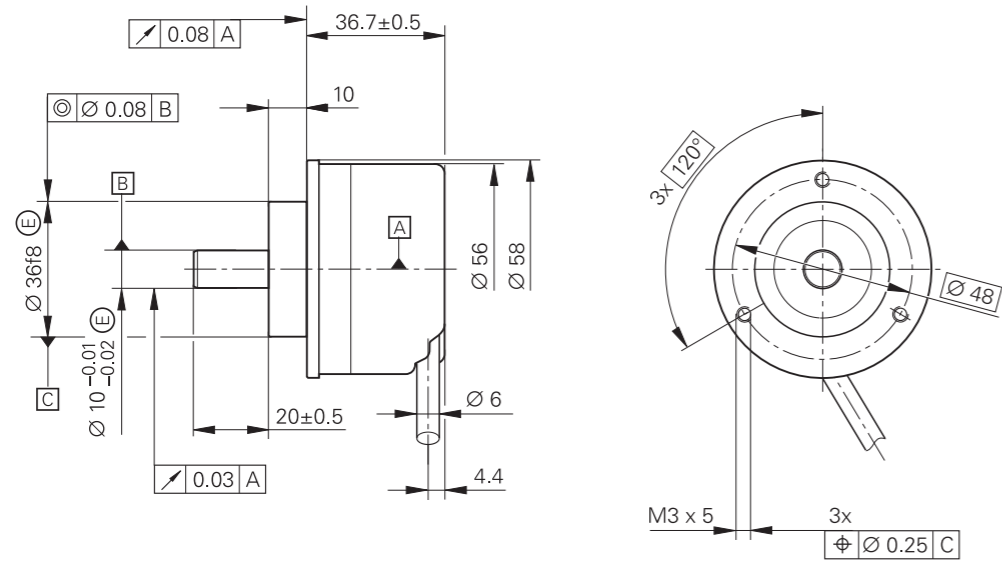


HR 550 FS

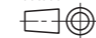


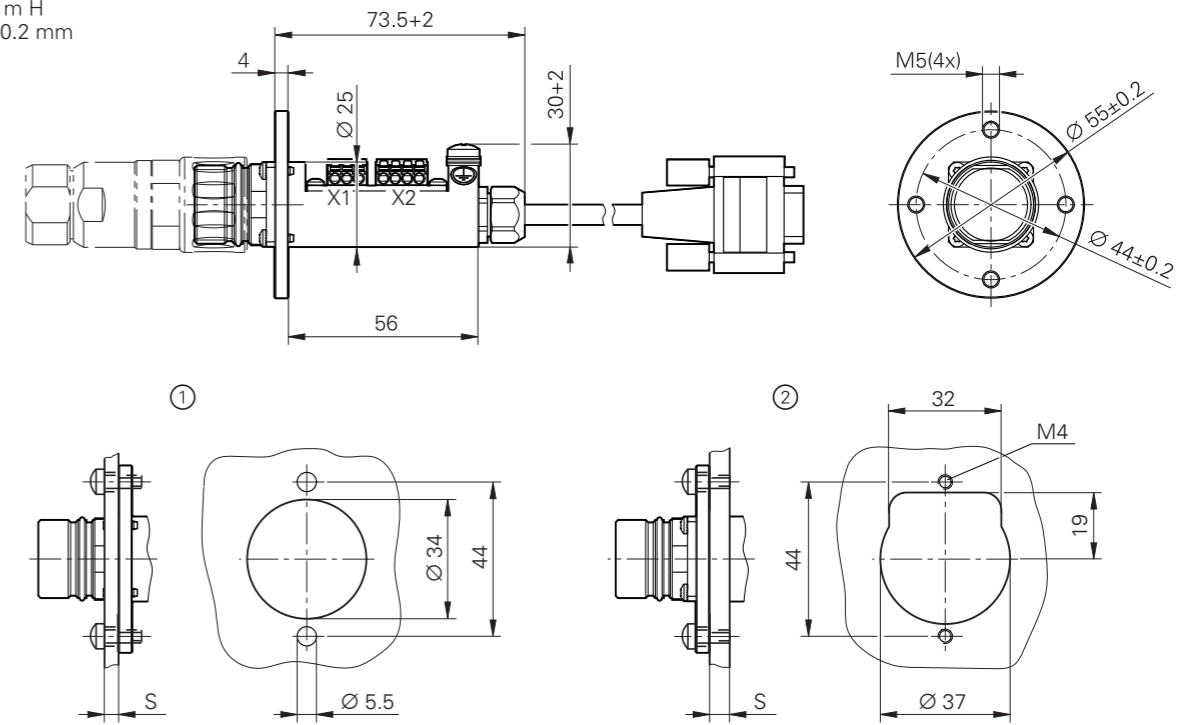
HR 130

mm

 Tolerancing ISO 8015
 ISO 2768 - m H
 < 6 mm: ±0.2 mm



Adapter cable for handwheels (straight)

mm

 Tolerancing ISO 8015
 ISO 2768 - m H
 < 6 mm: ±0.2 mm

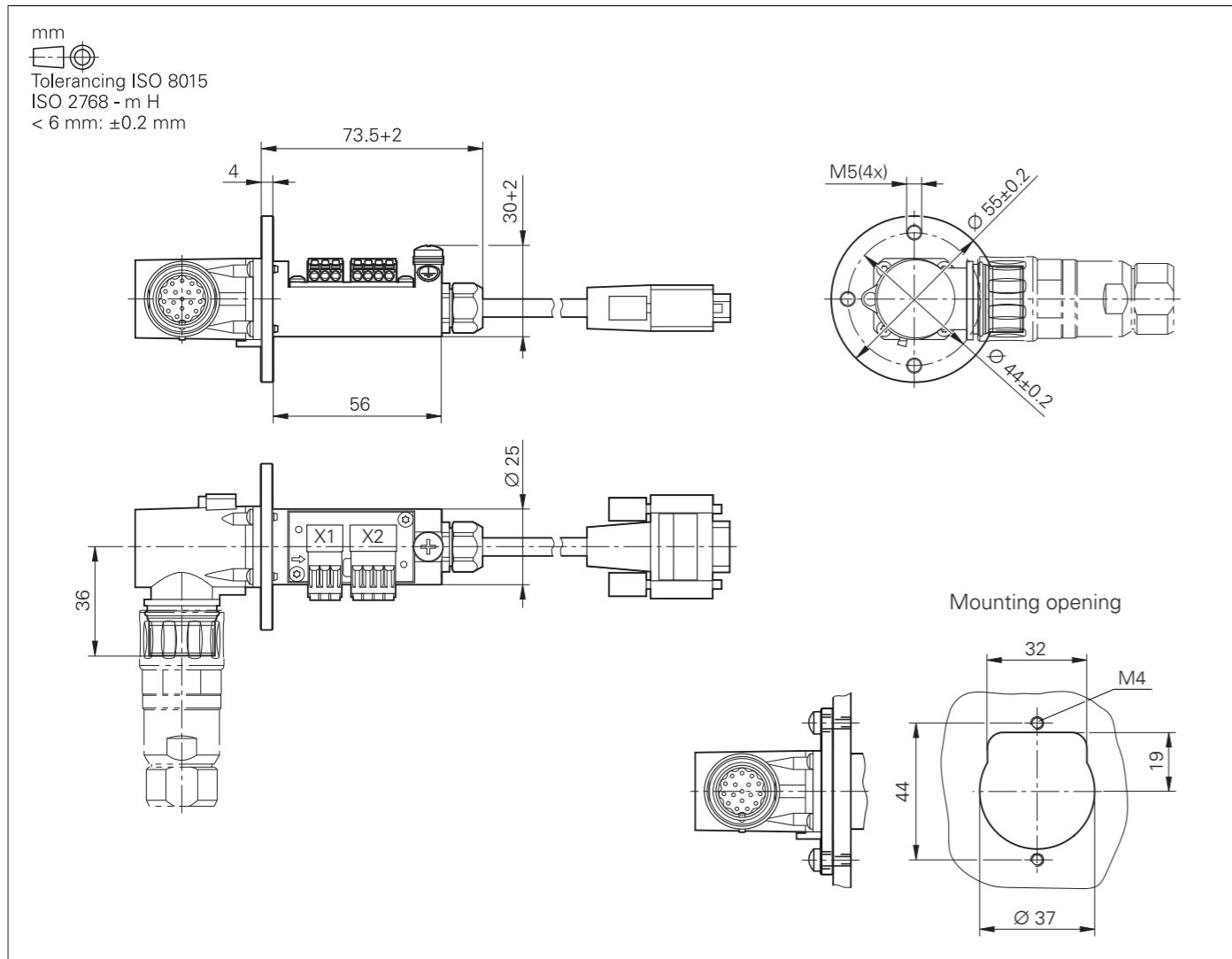


- ① Mounting opening up to wall thickness S = 4
- ② Mounting opening for wall thickness S = 4 or more

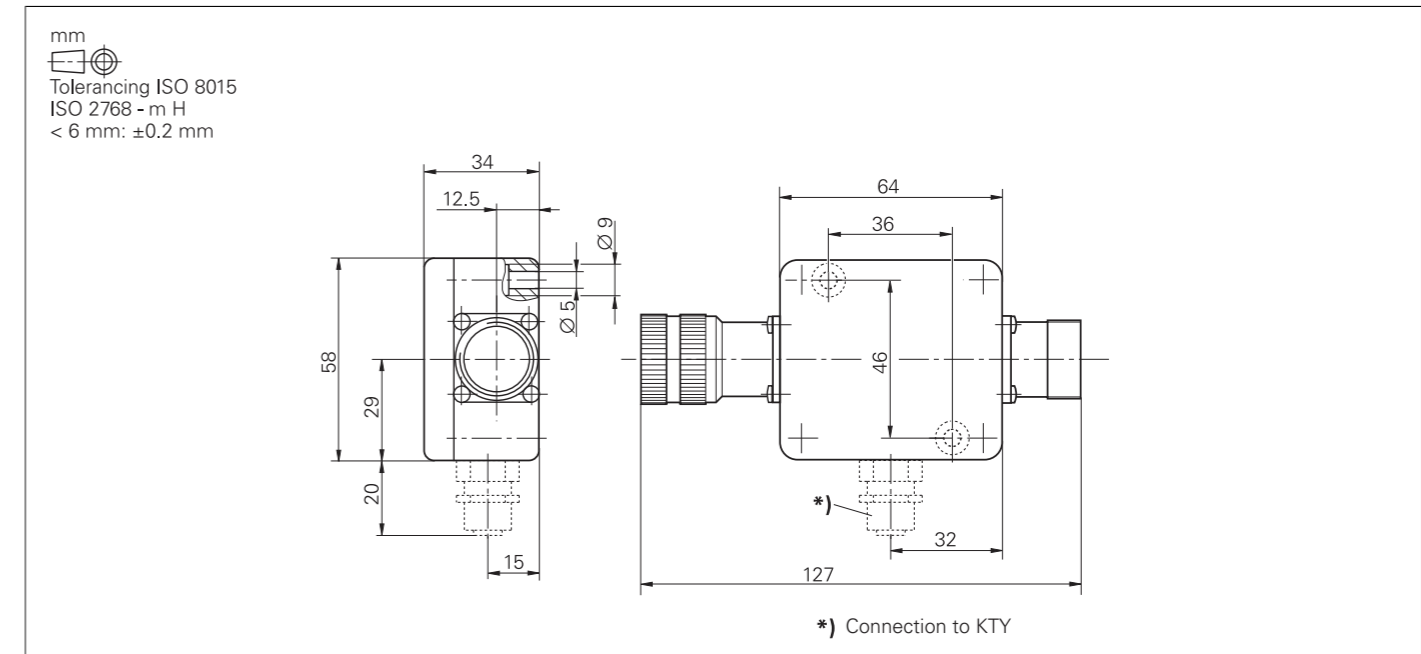
HR/HRA adapter cable to MC (straight connector)

Interface accessories

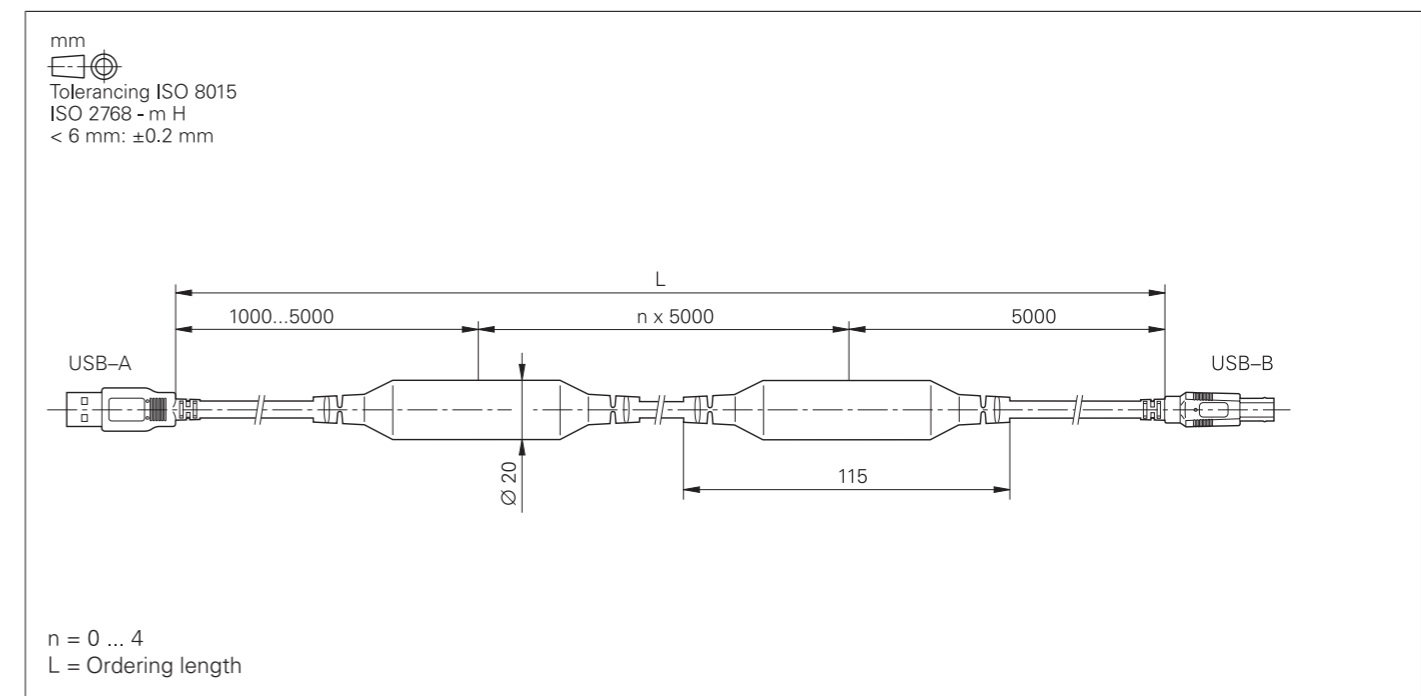
Adapter cable for handwheels (angled)



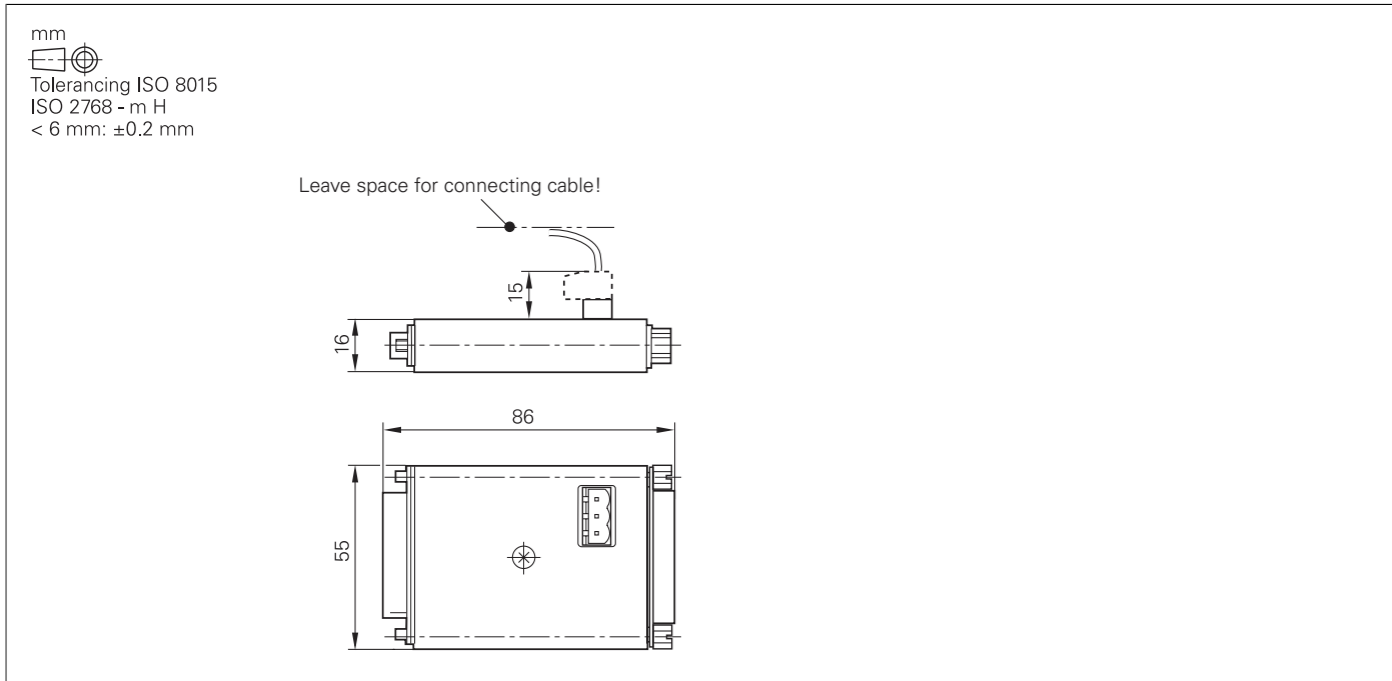
Line-drop compensator for encoders with EnDat interface



USB extension cable with hubs

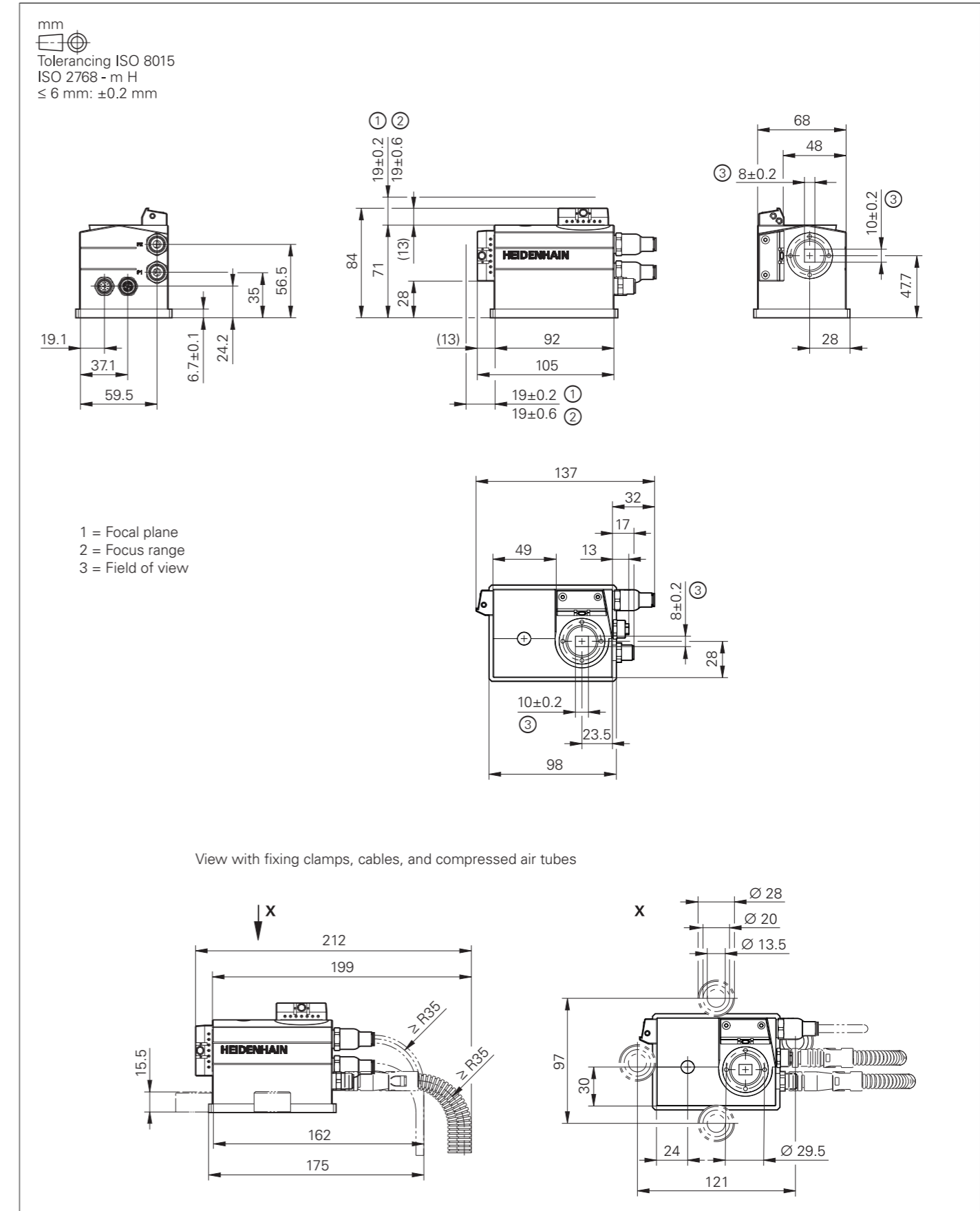


KTY adapter connector



Vision system

VT 121



General information

Documentation

Technical documentation	<p>Technical Manuals (PDF format on HESIS-Web including Filebase)</p> <ul style="list-style-type: none"> • TNC7 ID 1364558 • PNC 610 ID 1191125 • Inverter Systems for Gen 3 Drives ID 1252650 • Functional Safety (FS) ID 749363 • Functional Safety (FS) Supplement to the Technical Manual ID 1177599 • Python in HEIDENHAIN Controls ID 757807 • OPC UA NC Server ID 1309365
User documentation	<p>User's Manuals</p> <p><i>TNC7:</i></p> <ul style="list-style-type: none"> • Setup and Program Run ID 1358774-xx • Programming and Testing ID 1358773-xx • Machining Cycles ID 1358775-xx • Measuring Cycles for Workpieces and Tools ID 1358777-xx <p><i>General:</i></p> <ul style="list-style-type: none"> • TNCremo Integrated help • TNCremoPlus Integrated help • PLCdesign Integrated help • CycleDesign Integrated help • IOconfig Integrated help • KinematicsDesign Integrated help • M3D converter Integrated help
Other documentation	<p>Brochures</p> <ul style="list-style-type: none"> • TNC7 ID • Touch Probes ID 1113984-xx • Inverter Systems for Gen 3 Drives ID 1303180-xx • Motors ID 208893-xx • RemoTools SDK virtualTNC ID 628968-xx • Programming Station for TNC Controls ID 825930-xx • Options and Accessories for TNC Controls ID 827222-xx <p>Booklets</p> <ul style="list-style-type: none"> • HR 550 FS ID 636227-xx • OPC UA NC Server ID 1355797-xx • TNC7 ID 1361915-xx <p>DVDs</p> <ul style="list-style-type: none"> • Touch Probes ID 344353-xx • Programming Station: TNC7 Demo Version
Safety parameters	<p>For HEIDENHAIN products (such as control components, encoders, or motors), the safety characteristics (such as failure rates or statements on fault exclusion) are available on product-specific request from your HEIDENHAIN contact person.</p>
Basic circuit diagram	<p>More information on basic circuit diagrams can be requested from your HEIDENHAIN contact person.</p>

Service and training

Technical support	<p>HEIDENHAIN offers the machine manufacturer technical support to optimize the interfacing of the control to the machine, including on-site support.</p>				
Exchange control	<p>In the event of a malfunction, HEIDENHAIN guarantees the timely shipment of an exchange control (usually within 24 hours in Europe).</p>				
Helpline	<p>Our customer service technicians are available for questions regarding adaption or in the event of malfunctions:</p> <p>NC support +49 8669 31-3101 (initial configuration/optimization, field service/troubleshooting) E-mail: service.nc-support@heidenhain.de</p> <p>PLC/Python programming +49 8669 31-3102 Functional safety (FS) E-mail: service.plc@heidenhain.de</p> <p>NC/Cycle programming and kinematics +49 8669 31-3103 E-mail: service.nc-pgm@heidenhain.de</p> <p>Encoders / machine calibration +49 8669 31-3104 E-mail: service.ms-support@heidenhain.de</p> <p>Application programming +49 8669 31-3106 E-mail: service.app@heidenhain.de</p> <p>If you have questions about repairs, spare parts, or exchange units, please contact our Service department:</p> <p>Customer service, Germany +49 8669 31-3121 E-mail: service.order@heidenhain.de</p> <p>Customer service, international +49 8669 31-3123 E-mail: service.order@heidenhain.de</p>				
Machine calibration	<p>On request, HEIDENHAIN engineers will calibrate your machine's geometry (e.g., with a KGM grid encoder).</p>				
Technical courses	<p>HEIDENHAIN provides technical customer training in the following subjects:</p> <ul style="list-style-type: none"> • NC programming • PLC programming • TNC optimization • TNC servicing • Encoder servicing • Special training for specific customers <p>For more information on dates or registration:</p> <table border="1" style="width: 100%; border-collapse: collapse;"> <tr> <td style="padding: 2px;">Technical training courses in Germany</td> <td style="padding: 2px;">+49 8669 31-3049 E-mail: mtt@heidenhain.de</td> </tr> <tr> <td style="padding: 2px;">Technical training courses outside of Germany</td> <td style="padding: 2px;">www.heidenhain.com EN ► Service & Support ► Technical training</td> </tr> </table>	Technical training courses in Germany	+49 8669 31-3049 E-mail: mtt@heidenhain.de	Technical training courses outside of Germany	www.heidenhain.com EN ► Service & Support ► Technical training
Technical training courses in Germany	+49 8669 31-3049 E-mail: mtt@heidenhain.de				
Technical training courses outside of Germany	www.heidenhain.com EN ► Service & Support ► Technical training				

Other HEIDENHAIN controls

Examples

TNC 128

Information: *TNC 128* brochure

- Straight-cut control for **milling, drilling, and boring machines**
- Axes: 6 control loops, of which up to 2 can be configured as spindles
- Analog nominal-value interface to the drives (± 10 V)
- Compact design: monitor, keyboard, and main computer all in one unit
- Dimensions: 400 mm x 450 mm x 91 mm
- Integrated 12.1-inch screen
- Storage medium for NC programs: CompactFlash memory card
- Programming in HEIDENHAIN Klartext format
- Standard milling, drilling, and boring cycles
- Touch probe cycles
- Short block processing time

TNC 620

Information:

TNC 620 brochure

- Compact contouring control for **milling, drilling, and boring machines**
- Axes: 8 control loops, of which up to 2 can be configured as spindles
- For operation with HEIDENHAIN inverter systems and ideally HEIDENHAIN motors
- Uniformly digital with HSCI interface and EnDat interface
- Compact size
- CompactFlash memory card
- Programming in HEIDENHAIN Klartext format or G-code (ISO)
- Standard milling, drilling, and boring cycles
- Touch probe cycles
- Short block processing time (1.5 ms)

19-inch screen (portrait) design

- Monitor, keyboard, and main computer in one unit (MC 8410)
- Integration of the keyboard in the lower screen area
- Multi-touch operation

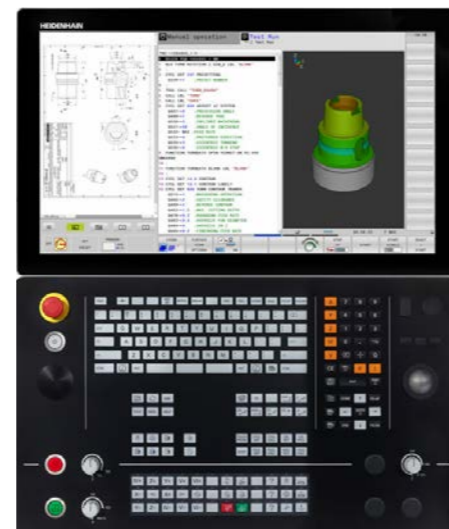
15-inch screen (landscape) design

- Monitor and main computer in one unit (MC 8420)
- Separate keyboard unit
- Multi-touch operation



TNC 640

- Contouring control for **milling machines, milling-turning machines, and machining centers**
- Axes: up to 24 control loops (22 control loops with functional safety (FS)), of which up to 4 can be configured as spindles
- For operation with HEIDENHAIN inverter systems and ideally with HEIDENHAIN motors
- Uniformly digital with HSCI interface and EnDat interface
- Version with touchscreen for multi-touch operation
- Solid state disk (SSDR)
- Programming in HEIDENHAIN Klartext or G-code (ISO)
- Comprehensive cycle package for milling and turning operations
- Constant surface speed for turning operations
- Tool radius compensation
- Touch probe cycles
- Free contour programming (FK)
- Short block processing time (< 0.5 ms)

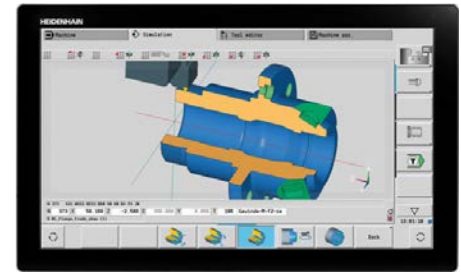


CNC PILOT 640

Information:

CNC PILOT 640 brochure

- Contouring control for **lathes and turning-milling machines**
- Suitable for horizontal and vertical lathes as well as vertical boring and turning mills
- Axes: max. 24 control loops (22 control loops with functional safety (FS)), max. 8 NC axes per channel, max. 6 spindles in the overall system
- Up to 3 channels for asynchronous multi-slide machining
- Up to 3 principal axes (X, Z, and Y), B axis, closed-loop spindle and counter spindle, C1/C2 axis and driven tools
- 5-axis simultaneous machining (X, Z, Y, B, and C axes)
- Up to 3 programmable auxiliary axes (U, V, W) for control of steady rest, tailstock and counter spindle
- The position of a parallel secondary axis can be shown combined with its principal axis
- For operation with HEIDENHAIN inverter systems and ideally with HEIDENHAIN motors
- Fully digital with HSCI interface and EnDat interface
- 24-inch, 19-inch, or 15.6-inch multi-touch display
- Storage medium: CFR CompactFlash memory card (CFast)
- Programming of turning, drilling, and milling operations with smart.Turn, according to DIN, or via cycles
- TURN PLUS: automated smart.Turn program generation
- ICP free contour programming for turning and milling contours
- For simple tool holders (multifix), turrets, or magazines



CNC PILOT 640 with 24-inch multi-touch display



CNC PILOT 640 with 15.6-inch multi-touch display

Subject index

3

3D-ToolComp..... 80

5

5-Axis Machining..... 57

A

Absolute encoders..... 64
 ACC..... 70
 Accessories..... 5
 Adaptive Feed Control (AFC)..... 69
 Additional modules..... 26
 Advanced Dynamic Prediction (ADP).... 68
 API DATA..... 82
 Axes..... 56
 Axis clamping..... 66
 Axis feedback control..... 65

B

Backlash..... 78
 Basic modules..... 23
 Batch Process Manager (BPM)..... 58
 BF 360..... 21, 101
 Bus diagnosis..... 83

C

Cable overview..... 43
 CAD Model Optimizer..... 76
 Calibration sphere..... 79
 CMA-H 04-04-00..... 26
 Combined PROFIBUS DP/PROFINET IO module..... 26
 Compensation of torque ripples..... 65
 Component Monitoring..... 77
 Components..... 4
 ConfigDesign..... 81
 Connected Machining..... 92
 Connecting cables..... 29
 Control loop cycle times..... 66
 Control systems with external safety... 54
 Control systems with integrated functional safety (FS)..... 52
 Crossover Position Filter (CPF)..... 66
 Cross Talk Compensation (CTC)..... 72
 Cylinder Surface Interpolation..... 56

D

Data interfaces..... 90
 DCM v2..... 75
 Degrees of protection..... 94
 Digital control design..... 50
 Digital servo control..... 65
 Display step..... 6
 DNC applications..... 92
 Double-Speed Control Loops..... 66
 Dynamic Collision Monitoring..... 75
 Dynamic Efficiency..... 69
 Dynamic Precision..... 71

E

EA module for axis release..... 24
 Electromagnetic compatibility..... 95
 Electronic handwheels..... 27
 Embedded Workspace..... 87
 Encoder inputs..... 64
 EnDat 2.2..... 50
 Error compensation..... 78
 Ethernet..... 90
 Expansion PL..... 24
 Export version..... 17

F

Facing heads..... 60
 Facing slides..... 60
 Fast contour milling..... 67
 Feedforward control..... 65
 Fieldbus systems..... 26

G

Gantry axes..... 57
 Gear Cutting..... 60
 Gear stages..... 63
 Global Program Settings..... 58
 Grinding..... 62

H

HEROS 5..... 55
 HR 130..... 29, 108
 HR 510..... 27
 HR 510, HR 510 FS..... 105
 HR 510 FS..... 27
 HR 520..... 28
 HR 520, HR 520 FS..... 105
 HR 520 FS..... 28
 HR 550 FS..... 28, 106
 HRA 551 FS..... 28, 107
 HSCI..... 50
 HSCI adapter..... 25
 HSCI control components..... 17
 Hysteresis..... 78

I

I/O modules..... 24
 Incremental encoders..... 64
 Industrial PCs/ITC..... 30
 Initial setup and diagnostic aids..... 81
 Input resolution..... 6
 Installation elevation..... 95
 Integrated inverter..... 65
 Integrated PLC..... 84
 Interactive help area..... 76
 Interfacing to the machine..... 8
 Inverter system..... 45
 IOconfig..... 24
 IPC 306..... 31, 96
 IPC 6490..... 98
 IPC 8420..... 97
 ITC 362..... 30, 100

J

Jerk..... 67
 Jerk limiting..... 67

K

Keycaps..... 38
 KinematicsComp..... 80
 KinematicsDesign..... 76

L

Linear axes..... 56
 Linear error..... 78
 Load Adaptive Control (LAC)..... 71
 Log..... 82
 Look-ahead..... 67

M

M3D Converter..... 76
 Main computer..... 17
 Master keyword..... 19
 Maximum spindle speed..... 63
 MC 306..... 18, 96
 MC 366..... 18, 99
 MC 366 with TNC7 logo..... 18
 Module for analog axes..... 26
 Monitoring functions..... 74
 Motion Adaptive Control (MAC)..... 72
 Mounting and electrical installation..... 94
 Multiple main spindles..... 63
 MVC (Machine Vibration Control)..... 73

N

NC software license..... 20
 Nonlinear error..... 78

O

Online Monitor..... 82
 Operating system..... 55
 Optimized Contour Milling (OCM)..... 70
 Oscilloscope..... 81

P

PAE-H 08-00-01..... 24
 PL 6000..... 23, 104
 PLA-H 08-04-04..... 24
 PLB 6001, PLB 600x FS..... 103
 PLB 600x..... 25
 PLB 6104..... 24
 PLB 6104 FS..... 24
 PLB 6106..... 24
 PLB 6106 FS..... 24
 PLB 6108..... 24
 PLB 6108 FS..... 24
 PLB 6204 EnDat..... 23
 PLB 6204 FS EnDat..... 23
 PLB 6206 EnDat..... 23
 PLB 6206 FS EnDat..... 23
 PLB 6208 EnDat..... 23
 PLB 6208 FS EnDat..... 23

PLB 6210 EnDat..... 23
 PLB 6210 FS EnDat..... 23
 PLC axes..... 58, 85
 PLC basic program..... 88
 PLCdesign..... 85
 PLC encryption..... 84
 PLC inputs/outputs..... 84
 PLC positioning..... 85
 PLC programming..... 84
 PLC soft keys..... 85
 PLC window..... 85
 PLD-H 04-04-00 FS..... 24
 PLD-H 04-08-00 FS..... 24
 PLD-H 08-04-00 FS..... 24
 PLD-H 08-16-00..... 24
 PLD-H 16-08-00..... 24
 PNC 610..... 32
 Position Adaptive Control (PAC)..... 73
 Position-controlled spindle..... 63
 Process Monitoring..... 77
 PROFIBUS DP module..... 26
 PROFINET IO module..... 26
 Proper minimum clearance..... 94
 Python OEM Process..... 86

R

Real-Time Coupling Function..... 58
 RemoteAccess..... 83
 Remote Desktop Manager..... 92
 RemoTools SDK..... 92
 Reversal spikes..... 78
 Rotary axes..... 56

S

Servo lag..... 65
 SIK component..... 19
 Sliding friction..... 78
 Smoothed jerk..... 67
 Snap-on keys..... 36
 Software options..... 14
 Software tools..... 5
 Specifications..... 6
 Spindle..... 63
 Spindle orientation..... 63
 Spindle override..... 63
 Static friction..... 78
 Storage medium..... 19
 Synchronized axes..... 57
 System PL with EnDat support..... 23

T

Table function..... 82
 Tapping..... 63
 TE 361..... 21
 TE 361, TE 361 FS..... 102
 TE 361 FS..... 21
 Thermal expansion..... 78
 Tilting the Working Plane..... 57
 TNCalyzer..... 83
 TNCdiag..... 81
 TNCkeygen..... 20
 TNCopt..... 82

TNCremo..... 91
 TNCremoPlus..... 91
 TNCscope..... 82
 TNCtest..... 83
 Torque Control..... 57
 Trace function..... 82
 Turning v2..... 61

U

USB..... 90
 User administration..... 55

V

virtualTNC..... 92
 Vision system..... 113
 VT 121..... 113
 VT 121 with VTC..... 35

HEIDENHAIN

DR. JOHANNES HEIDENHAIN GmbH

Dr.-Johannes-Heidenhain-Straße 5

83301 Traunreut, Germany

☎ +49 8669 31-0

FAX +49 8669 5061

E-mail: info@heidenhain.de

www.heidenhain.de

Vollständige und weitere Adressen siehe www.heidenhain.de
For complete and further addresses see www.heidenhain.com

DE	HEIDENHAIN Vertrieb Deutschland 83301 Traunreut, Deutschland ☎ 08669 31-3132 FAX 08669 32-3132 E-Mail: hd@heidenhain.de	DK	Denmark → SE	NO	HEIDENHAIN Scandinavia AB 7300 Orkanger, Norway www.heidenhain.no
	HEIDENHAIN Technisches Büro Nord 12681 Berlin, Deutschland ☎ 030 54705-240	ES	FARRESA ELECTRONICA S.A. 08028 Barcelona, Spain www.farresa.es	NZ	Llama ENGINEERING Ltd Lower Hutt 5010, New Zealand E-mail: heidenhain@llamaengineering.co.nz
	HEIDENHAIN Technisches Büro Mitte 07751 Jena, Deutschland ☎ 03641 4728-250	FI	HEIDENHAIN Scandinavia AB 01740 Vantaa, Finland www.heidenhain.fi	PH	MACHINEBANKS' CORPORATION Quezon City, Philippines 1113 E-mail: info@machinebanks.com
	HEIDENHAIN Technisches Büro West 44379 Dortmund, Deutschland ☎ 0231 618083-0	FR	HEIDENHAIN FRANCE sarl 92310 Sèvres, France www.heidenhain.fr	PL	APS 02-384 Warszawa, Poland www.heidenhain.pl
	HEIDENHAIN Technisches Büro Südwest 70771 Leinfelden-Echterdingen, Deutschland ☎ 0711 993395-0	GB	HEIDENHAIN (G.B.) Limited Burgess Hill RH15 9RD, United Kingdom www.heidenhain.co.uk	PT	FARRESA ELECTRÓNICA, LDA. 4470 - 177 Maia, Portugal www.farresa.pt
	HEIDENHAIN Technisches Büro Südost 83301 Traunreut, Deutschland ☎ 08669 31-1337	GR	MB Milionis Vassilis 17341 Athens, Greece www.heidenhain.gr	RO	HEIDENHAIN Reprezentantă Romania Braşov, 500407, Romania www.heidenhain.ro
AR	NAKASE SRL. B1653AOX Villa Ballester, Argentina www.heidenhain.com.ar	HR	Croatia → SL	RS	Serbia → BG
AT	HEIDENHAIN Techn. Büro Österreich 83301 Traunreut, Germany www.heidenhain.de	HU	HEIDENHAIN Kereskedelmi Képviselet 1239 Budapest, Hungary www.heidenhain.hu	SE	HEIDENHAIN Scandinavia AB 12739 Skärholmen, Sweden www.heidenhain.se
AU	FCR MOTION TECHNOLOGY PTY LTD Ravenhall Victoria 3023, Australia E-mail: sales@fcrmotion.com	ID	PT Servitama Era Toolsindo Jakarta 13930, Indonesia E-mail: ptset@group.gts.co.id	SG	HEIDENHAIN PACIFIC PTE LTD Singapore 408593 www.heidenhain.com.sg
BE	HEIDENHAIN NV 1760 Roosdaal, Belgium www.heidenhain.be	IL	NEUMO VARGUS MARKETING LTD. Holon, 5885948, Israel E-mail: neumo@neumo-vargus.co.il	SK	KOPRETINA TN s.r.o. 91101 Trencin, Slovakia www.kopretina.sk
BG	ESD Bulgaria Ltd. Sofia 1172, Bulgaria www.esd.bg	IN	HEIDENHAIN Optics & Electronics India Private Limited Chetpet, Chennai 600 031, India www.heidenhain.in	SL	NAVO d.o.o. 2000 Maribor, Slovenia www.heidenhain.si
BR	HEIDENHAIN Brasil Ltda. 04763-070 – São Paulo – SP, Brazil www.heidenhain.com.br	IT	HEIDENHAIN ITALIANA S.r.l. 20128 Milano, Italy www.heidenhain.it	TH	HEIDENHAIN (THAILAND) LTD Bangkok 10250, Thailand www.heidenhain.co.th
CA	HEIDENHAIN CORPORATION Mississauga, Ontario L5T2N2, Canada www.heidenhain.com	JP	HEIDENHAIN K.K. Tokyo 102-0083, Japan www.heidenhain.co.jp	TR	T&M Mühendislik San. ve Tic. LTD. ŞTİ. 34775 Y. Dudullu – Umraniye-Istanbul, Turkey www.heidenhain.com.tr
CH	HEIDENHAIN (SCHWEIZ) AG 8603 Schwerzenbach, Switzerland www.heidenhain.ch	KR	HEIDENHAIN Korea Ltd. Anyang-si, Gyeonggi-do, 14087 South Korea www.heidenhain.co.kr	TW	HEIDENHAIN CO., LTD. Taichung 40768, Taiwan www.heidenhain.com.tw
CN	DR. JOHANNES HEIDENHAIN (CHINA) Co., Ltd. Beijing 101312, China www.heidenhain.com.cn	MX	HEIDENHAIN CORPORATION MEXICO CP 20230 Aguascalientes, AGS., Mexico E-mail: infomexico@heidenhain.com	US	HEIDENHAIN CORPORATION Schaumburg, IL 60173-5337, USA www.heidenhain.us
CZ	HEIDENHAIN s.r.o. 102 00 Praha 10, Czech Republic www.heidenhain.cz	MY	ISOSERVE SDN. BHD. 43200 Balakong, Selangor E-mail: sales@isoserve.com.my	VN	AMS Co. Ltd HCM City, Vietnam E-mail: info@amsvn.com
		NL	HEIDENHAIN NEDERLAND B.V. 6716 BM Ede, Netherlands www.heidenhain.nl	ZA	MAFEMA SALES SERVICES C.C. Kyalami 1684, South Africa www.heidenhain.co.za